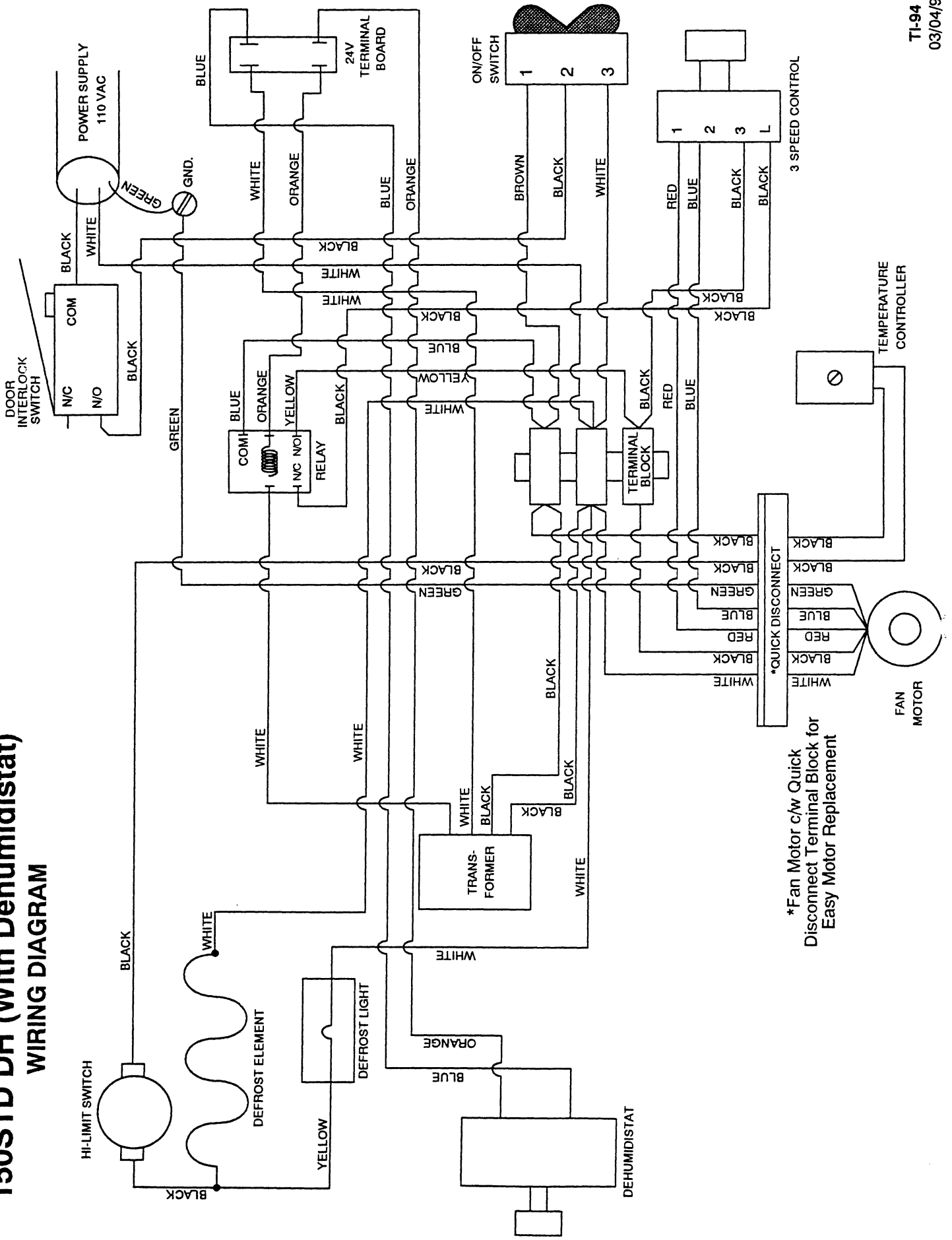


150STD DH (With Dehumidistat) WIRING DIAGRAM



*Fan Motor c/w Quick Disconnect Terminal Block for Easy Motor Replacement