



BOX 840, BENTON
ONTARIO, CANADA, N0M 1S0
0462 228-1640

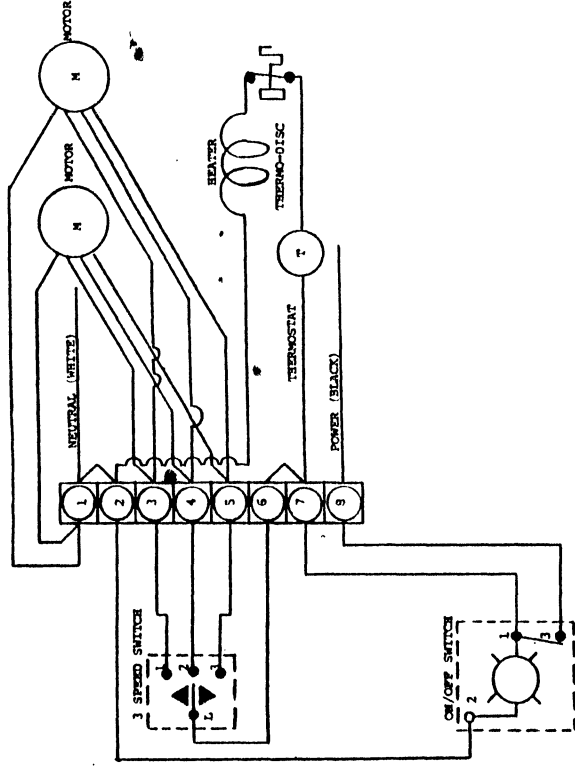
LIFEBREATH™ 250

WIRING DIAGRAMS

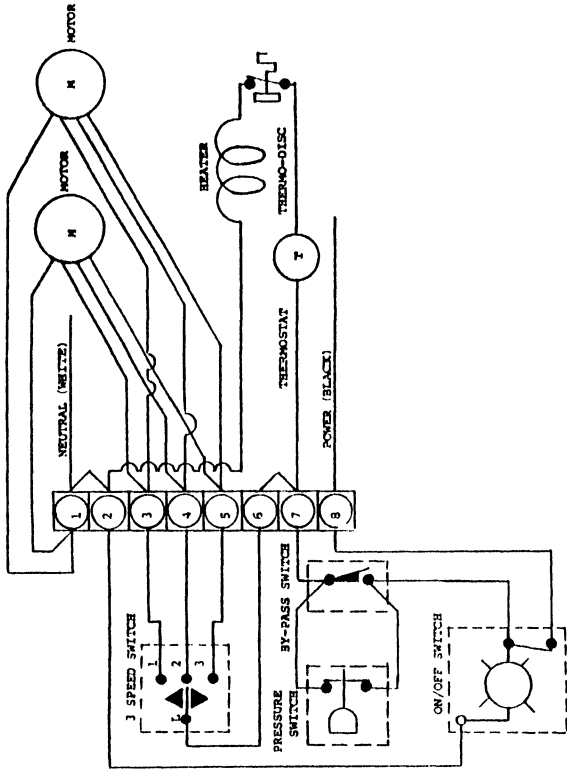
1. LIFEBREATH 250 - STANDARD MODEL.
2. LIFEBREATH 250 - F.S. MODEL.
3. LIFEBREATH 250 - WITH DEHUMIDISTAT AND RELAY.
4. LIFEBREATH 250 - F.S. WITH DEHUMIDISTAT AND RELAY.
5. LIFEBREATH 250 - ON-OFF DEHUMIDISTAT CONTROL.

NOTE: All dehumidistats and optional switches must be 110 line voltage.

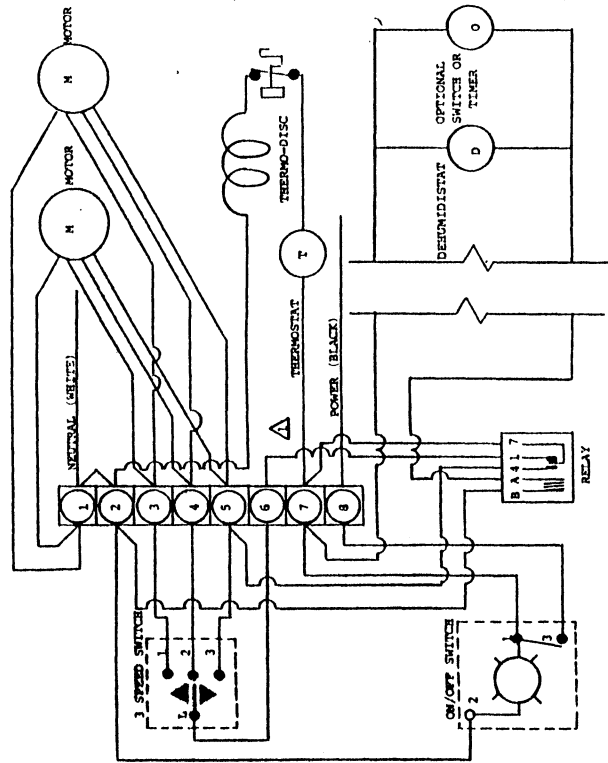
1. LIFEBREATH 250 - STANDARD MODEL



2. LIFEBREATH 250 - F.S. MODEL

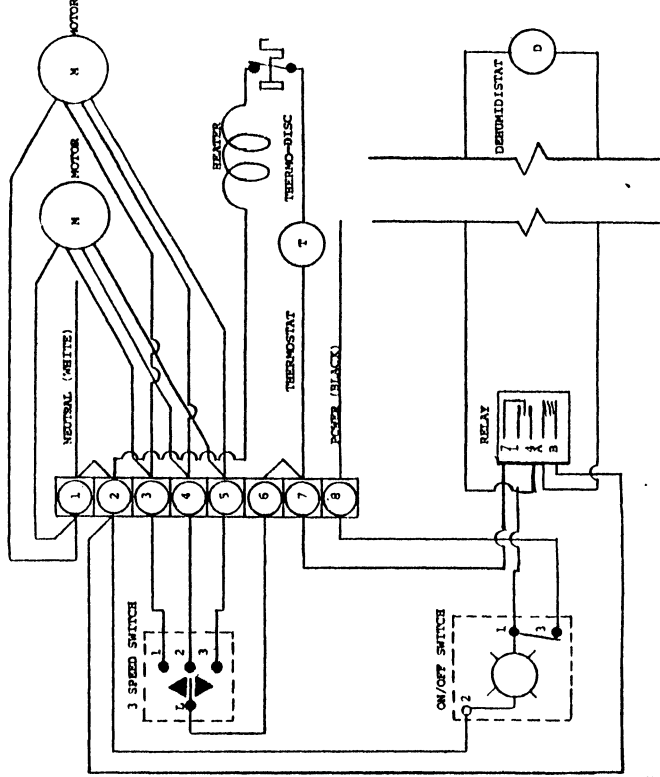


3. LIFEBREATH 250 - WITH DEHUMIDISTAT AND RELAY

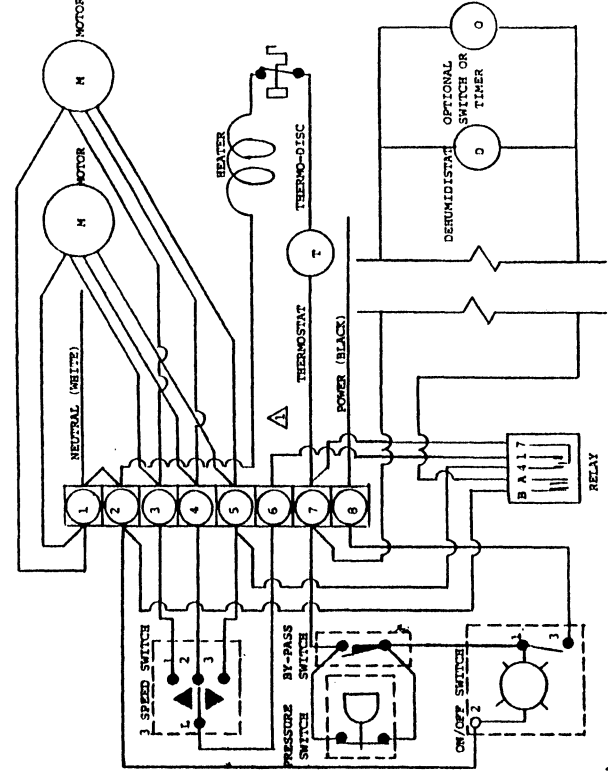


△ CONN. MUST BE MOVED OR TERMINAL 6 AND 7

5. LIFEBREATH 250 - WITH ON-OFF DEHUMIDISTAT CONTROL

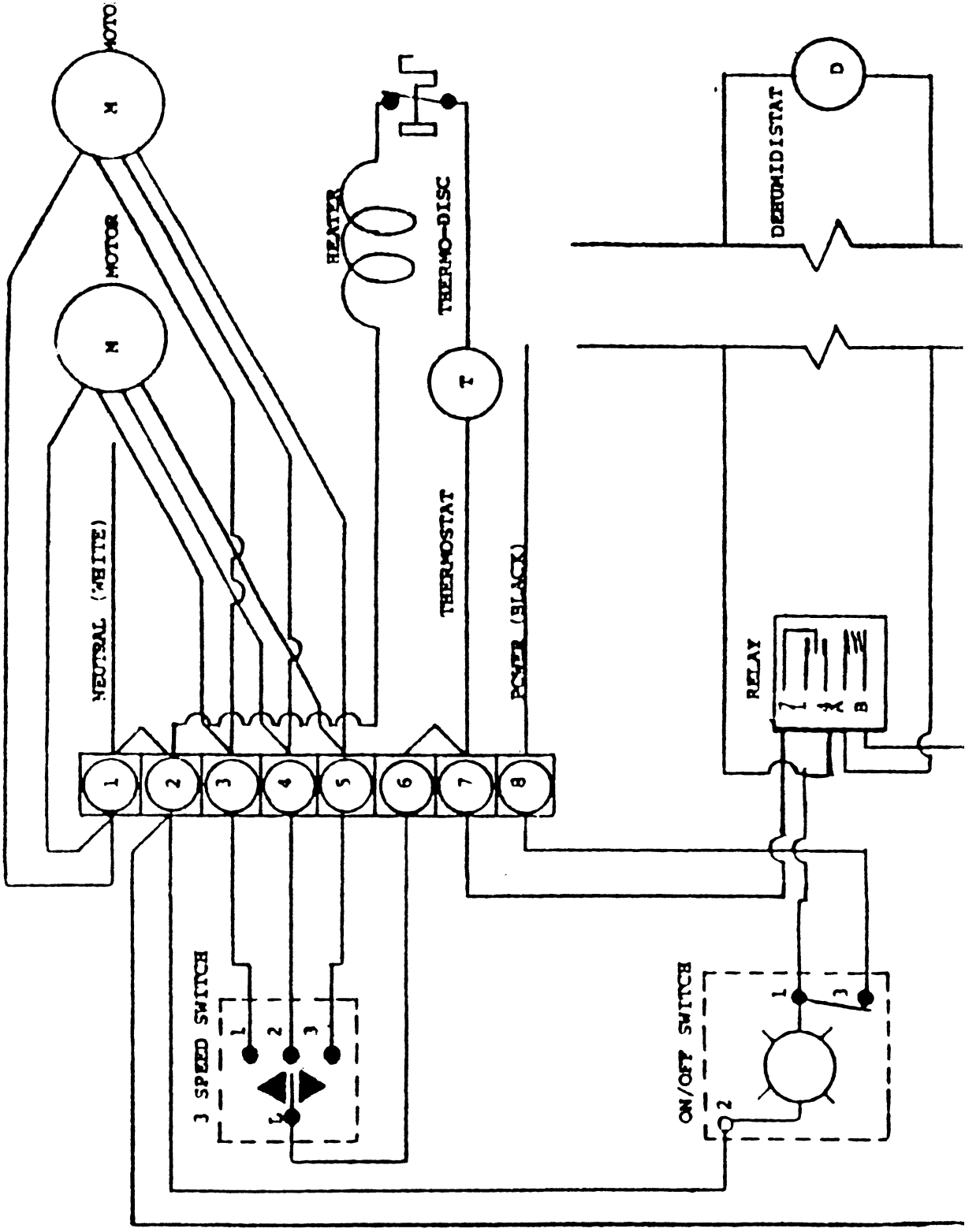


4. LIFEBREATH 250 - F.S. MODEL WITH DEHUMIDISTAT AND RELAY

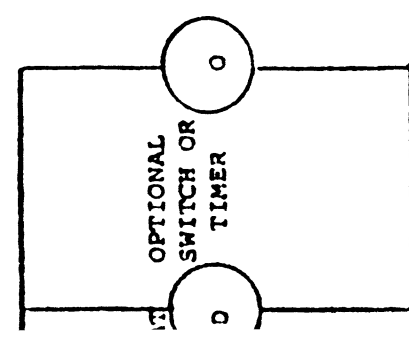
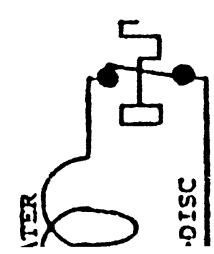
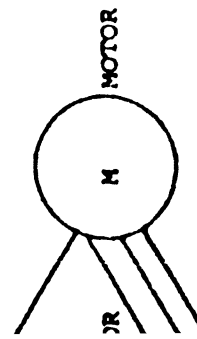


△ CONN. MUST BE MOVED FOR TERMINAL 6 AND 7

5. LIFE BREATH 250 - WITH ON-OFF DEHUMIDISTAT CONTROL

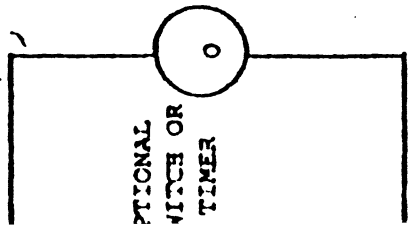
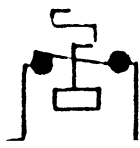
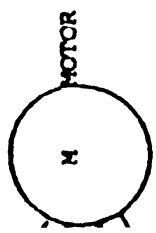
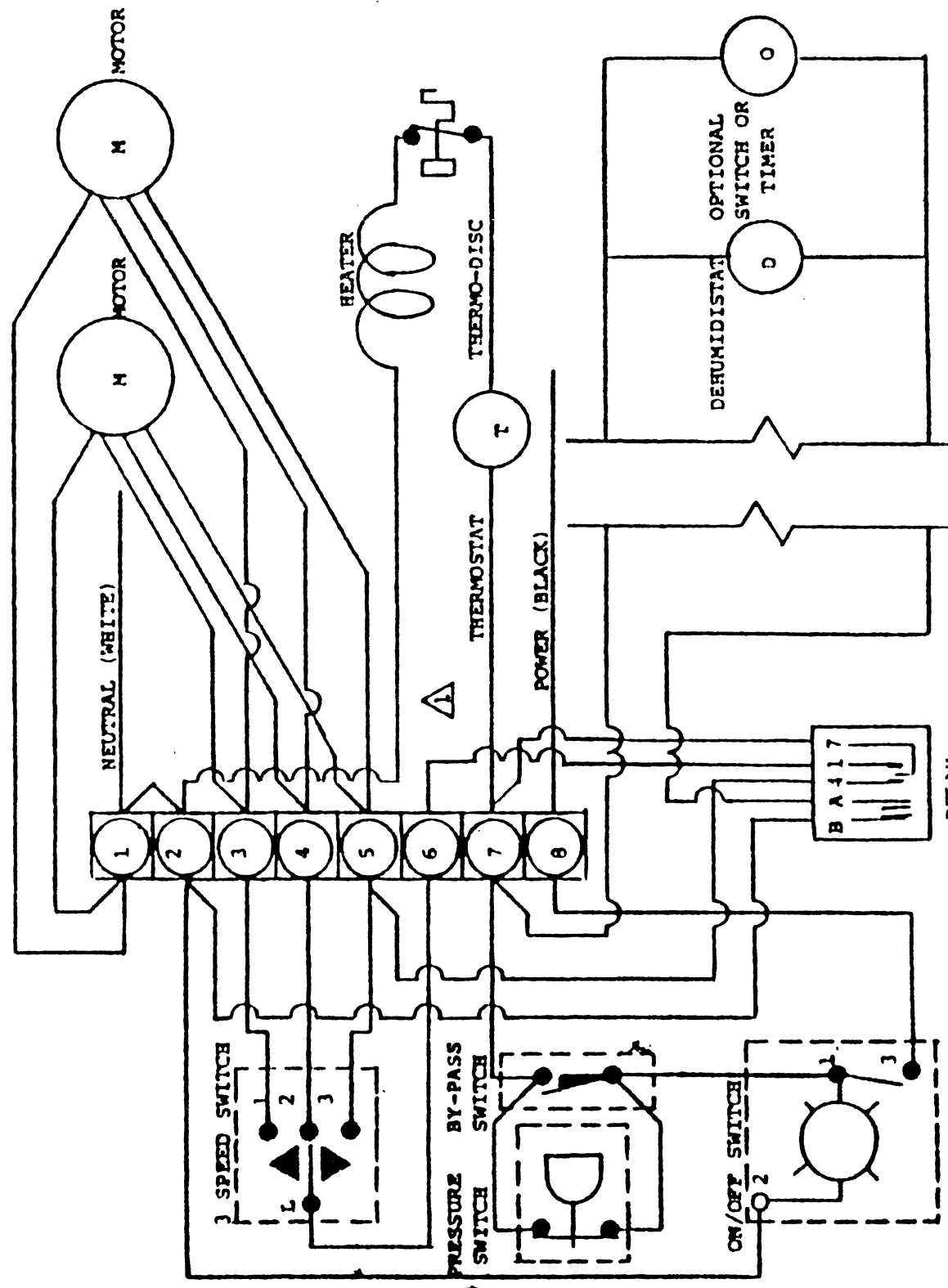


WIRING

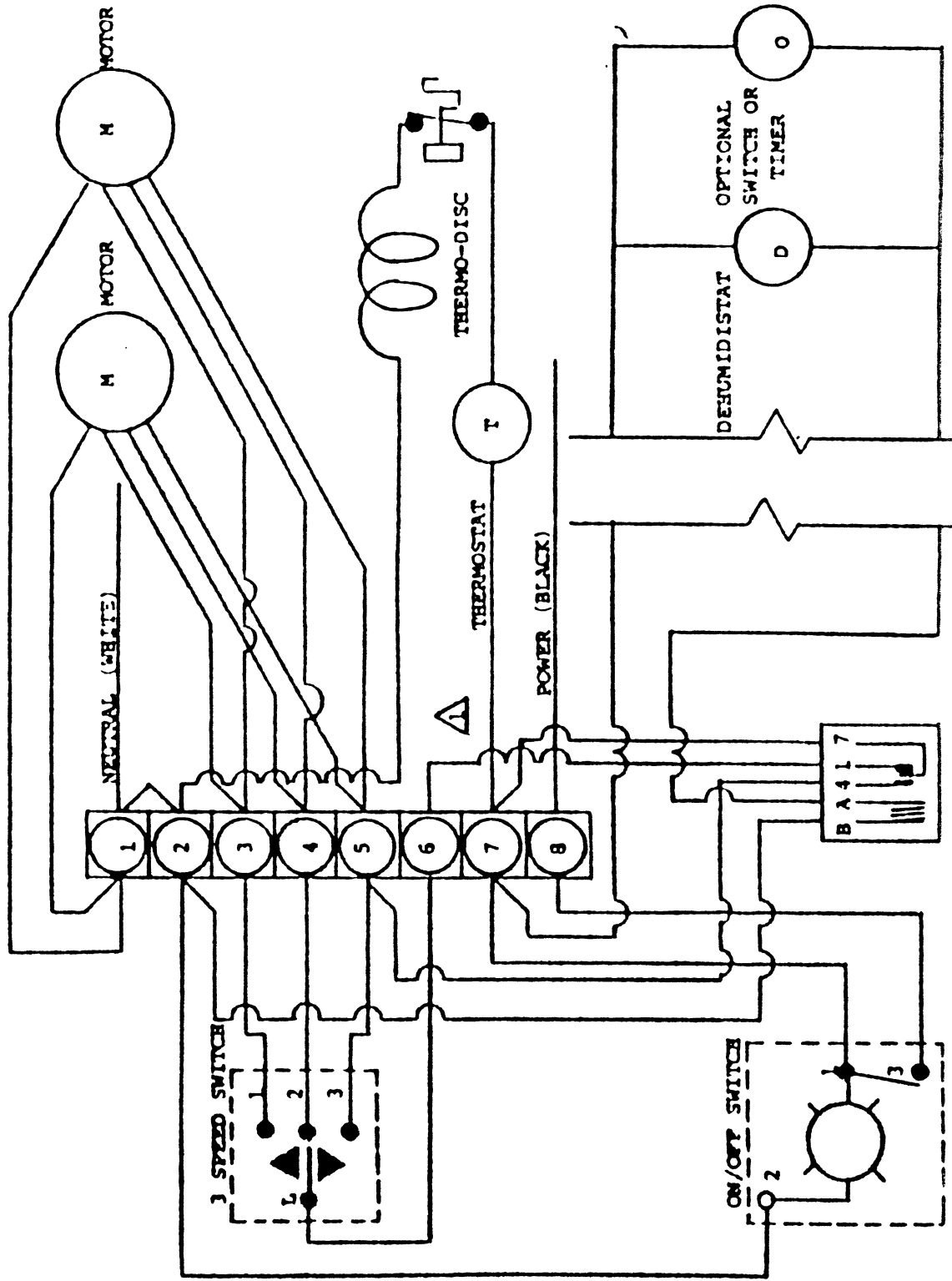




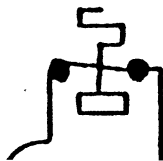
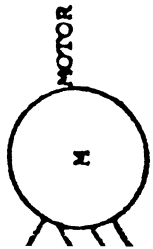
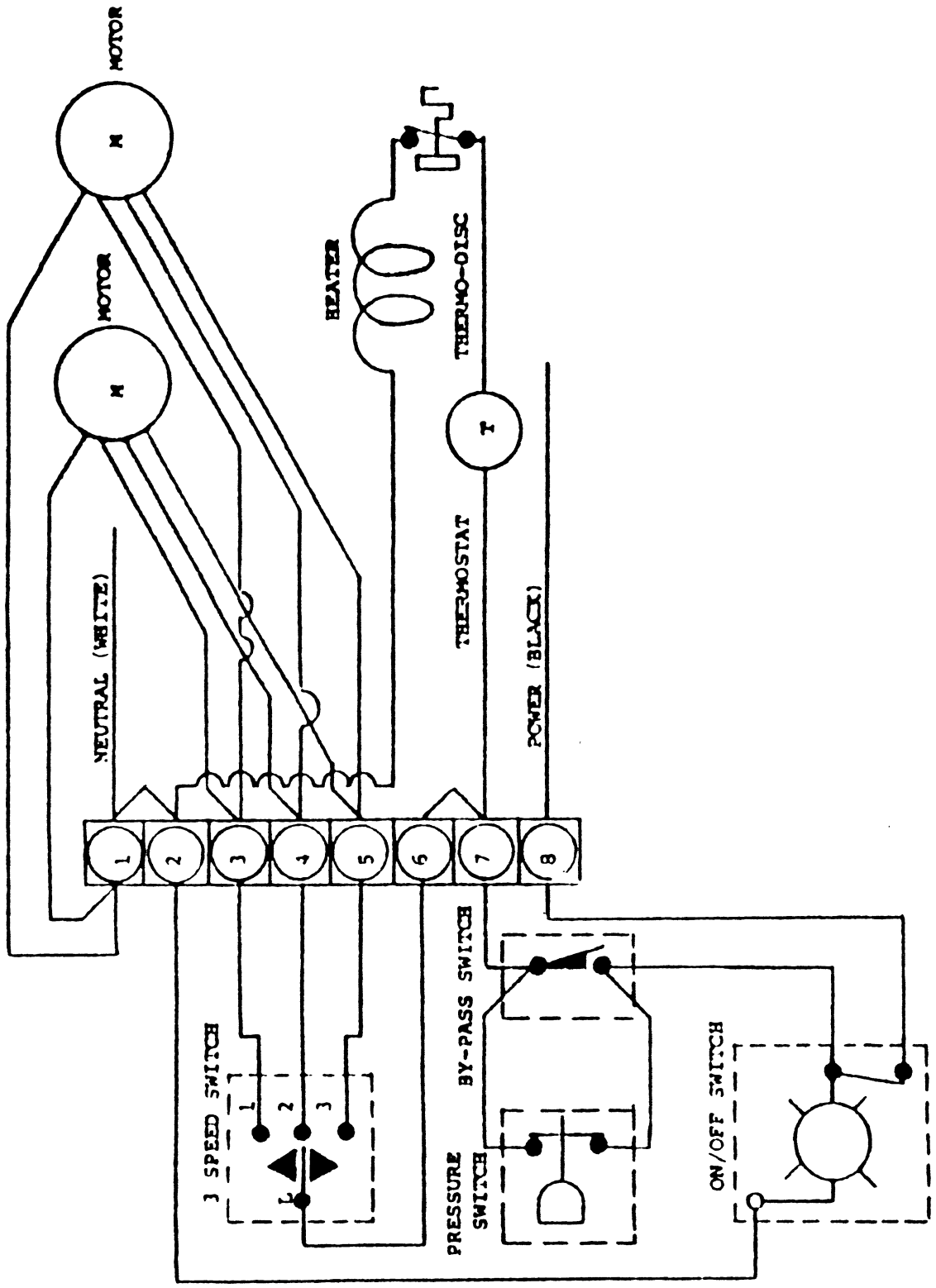
4. LIFE BREATH 250 - F.S. MODEL WITH DEHUMIDISTAT AND RELAY



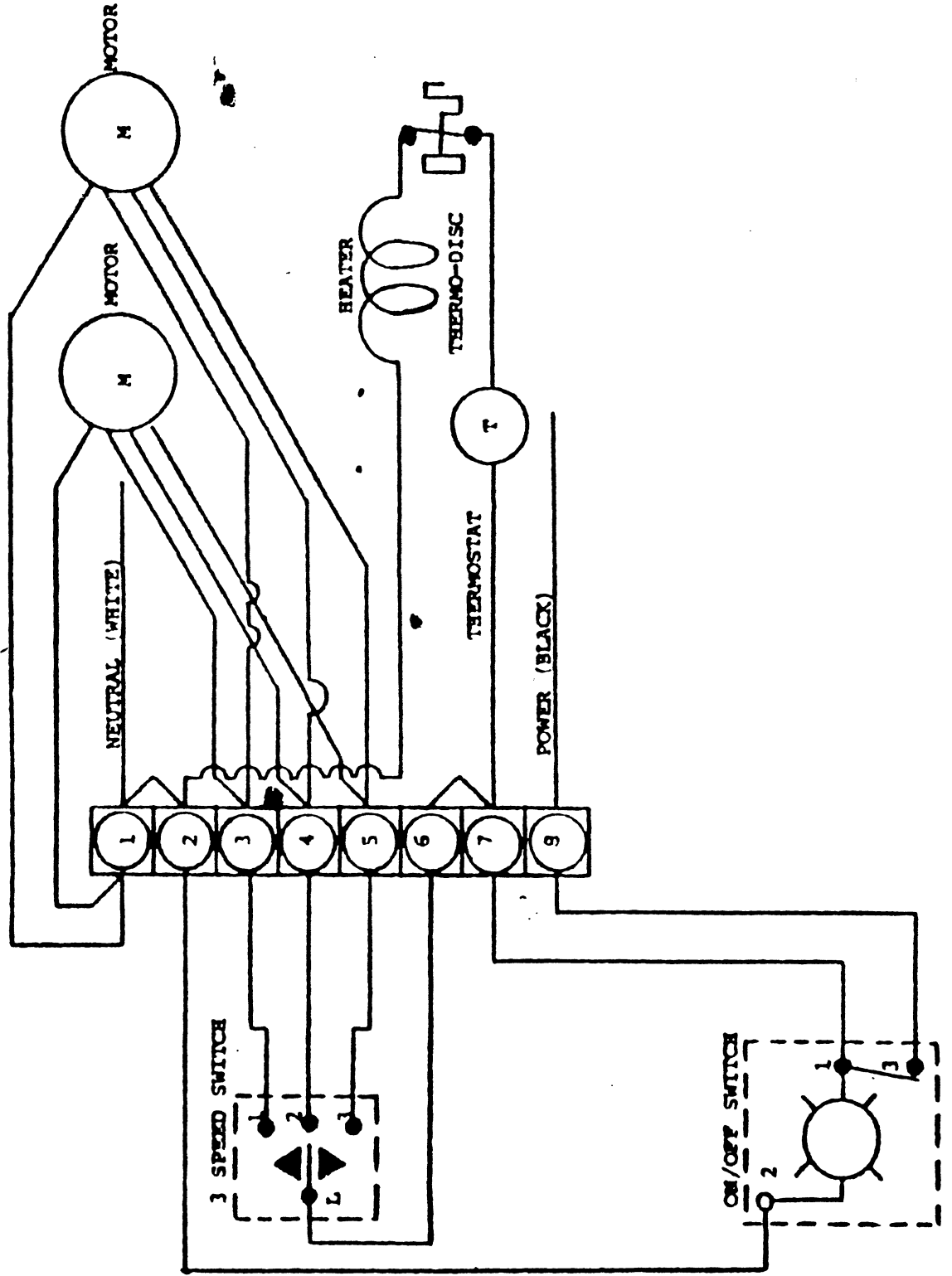
3. LIFEBOAT 250 - WITH DEHUMIDISTAT AND RELAY



2. LIFEBREATH 250 - P.S. MODEL



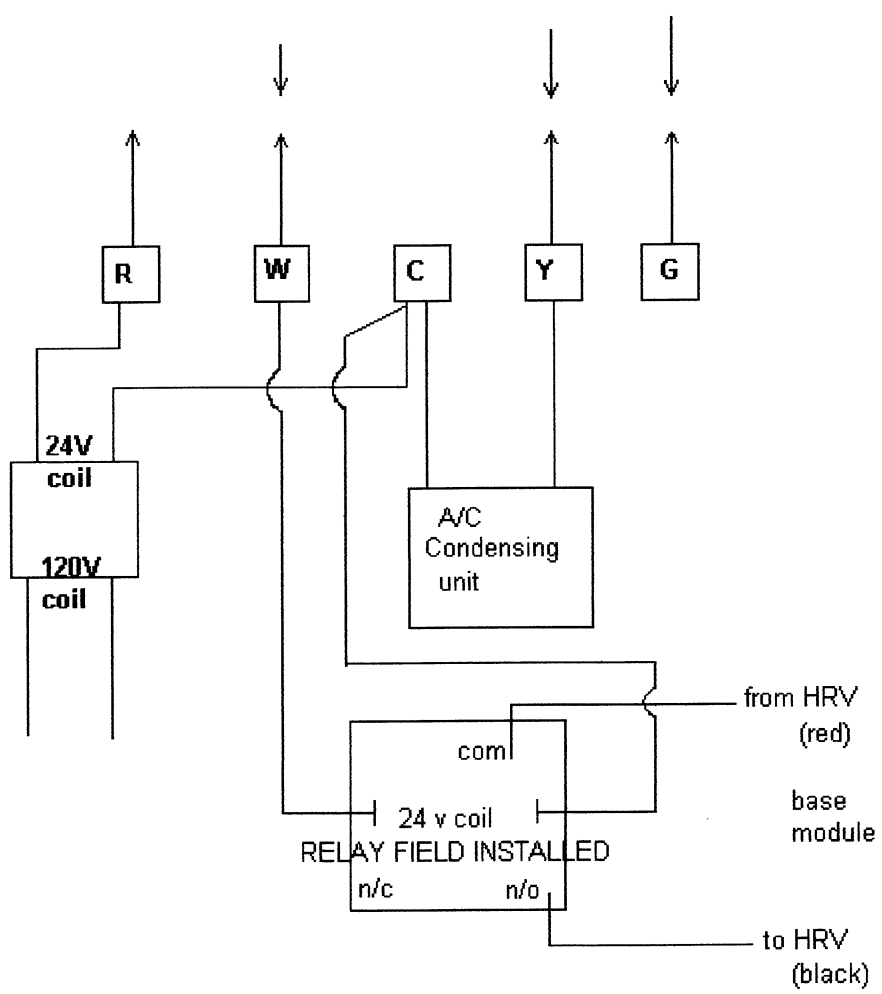
1. LIFEBREATH 250 - STANDARD MODEL



ORAL-B
 DA NOM 180
 81 838-1140

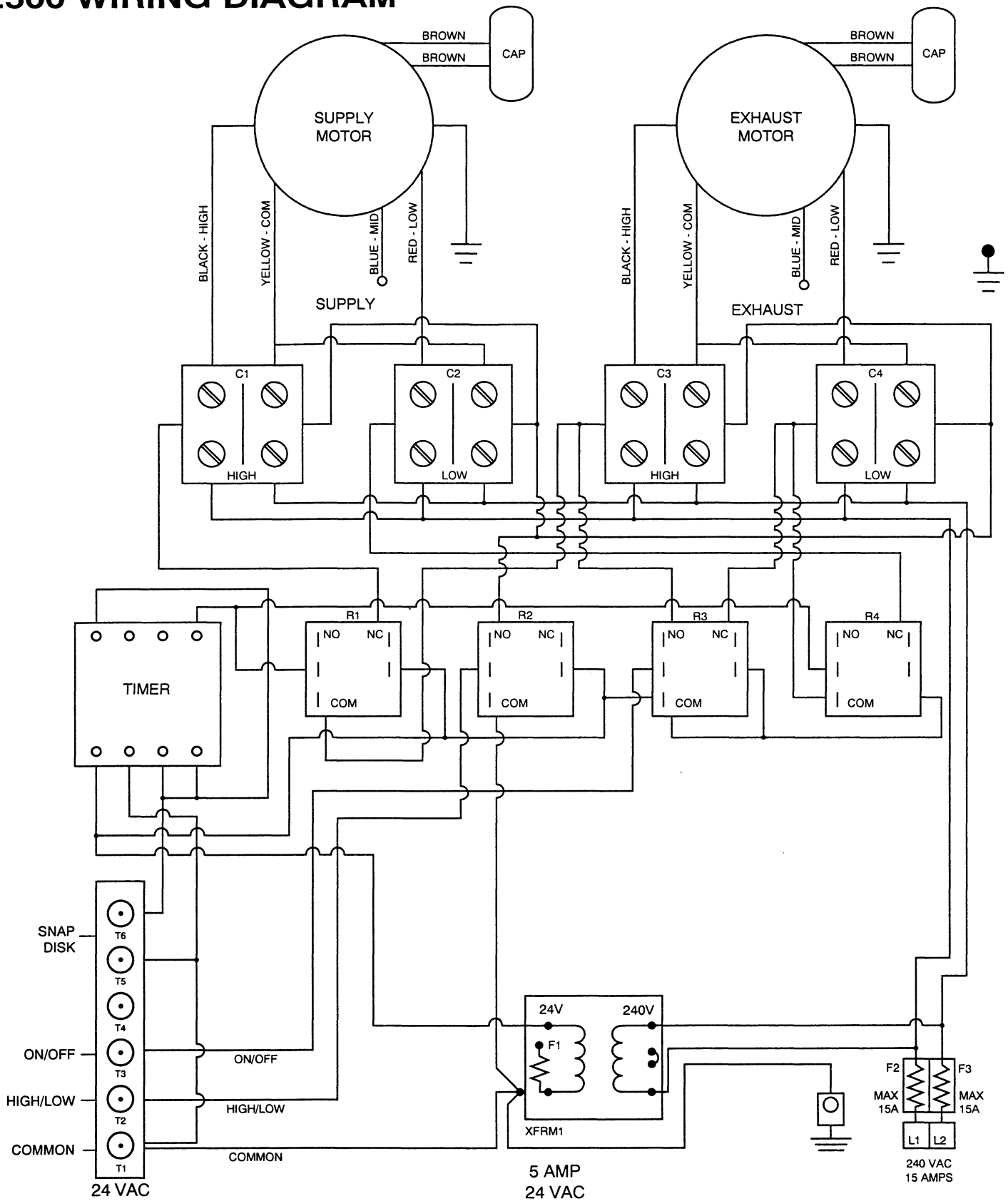
10/1/2013

from / to thermostat



THIS WIRING ARRANGEMENT WILL TURN ON THE HRV WHEN THE FURNACE COMES ON.

2500 WIRING DIAGRAM



NOTES: