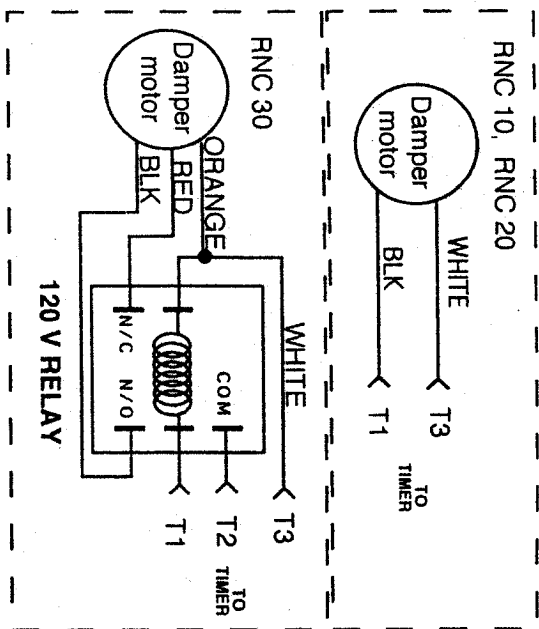


RNC HRV WIRING DIAGRAM

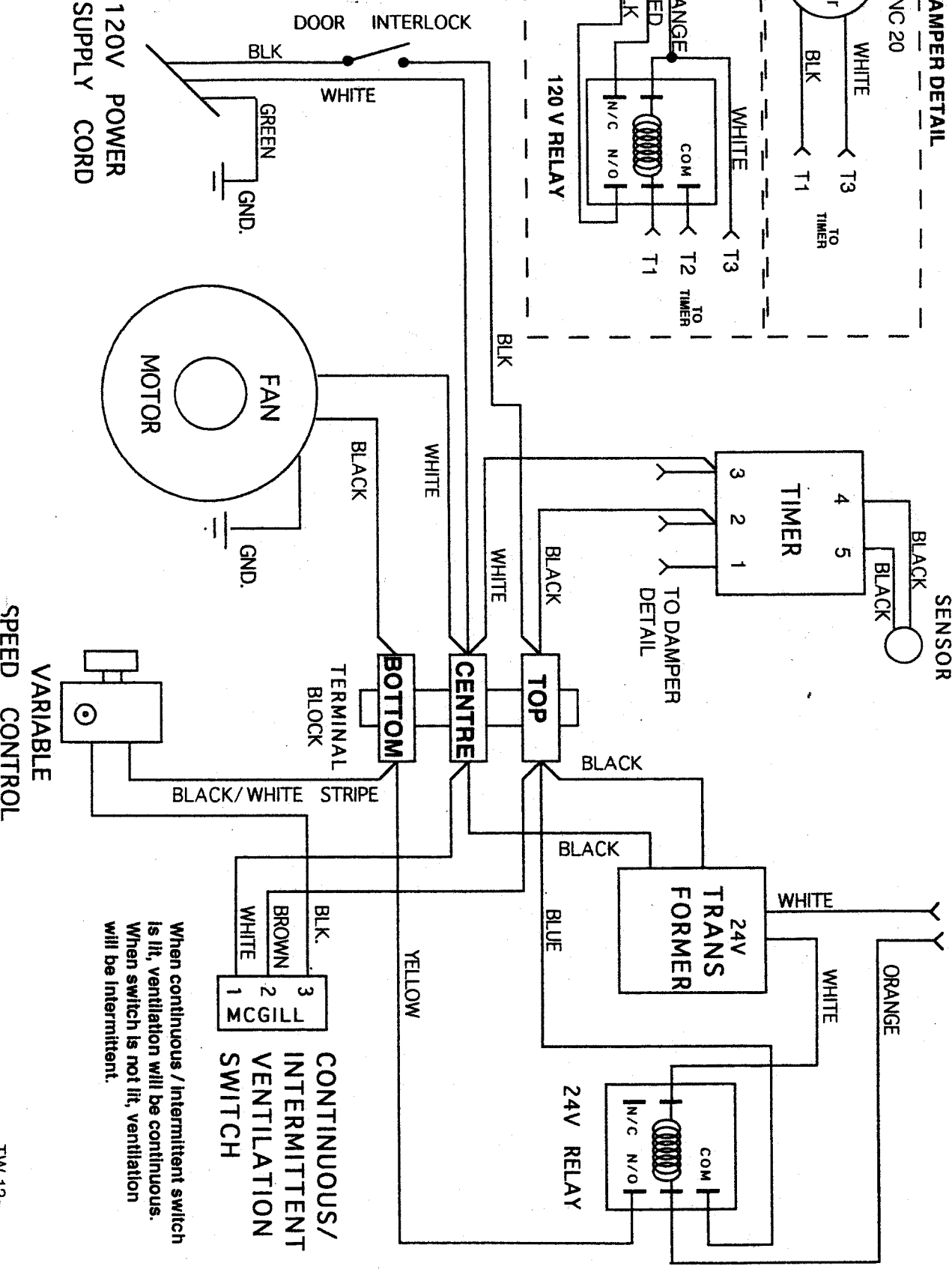
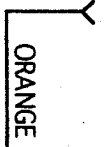
DAMPER DETAIL



TEMPERATURE SENSOR



TO REMOTE FIELD SUPPLIED LOW VOLTAGE SWITCH



When continuous / intermittent switch is lit, ventilation will be continuous. When switch is not lit, ventilation will be intermittent.

VARIABLE SPEED CONTROL