

ENGINEERING DATA

MOTORS AND BLOWERS

High efficiency PSC Motor - 150 cfm @ .4" WC 110 watts - 120 VAC. Standard three prong plug to receptacle. The TFP is equipped with a standard power supply of 5'5" (1.6 meters) cable.

COLLECTOR AND FILTER

One replaceable TFP collector and one replaceable HEPA filter. Easy to remove for cleaning and replacement. Annual inspection recommended.

MOUNTING THE AIR CLEANER - 4 OPTIONS

1. Mount to the furnace return
2. Mount between the HRV and the furnace
3. Hang from a joist and duct to the furnace
4. Stand alone installation

OPTIONS

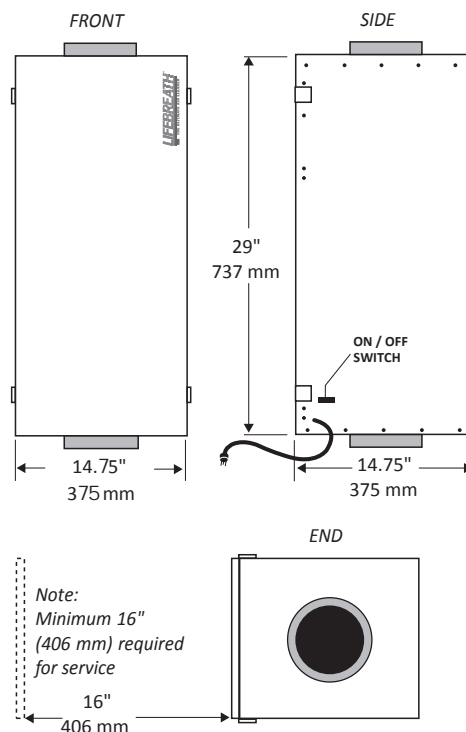
65-502R One replacement HEPA Filter

65-503R One replacement TFP Collector

99-TFP **Optional Installation Kit**

- Two 7 in Duct Connection Collars
- 12.5 in length of 7 in non-insulated flex duct
- Four nylon zip ties

DIMENSIONS TFP3000HEPA



All duct connections are 7" (178 mm)

Model TFP3000HEPA Particle Capture Rate

Particle Size (microns)	Percentage Caught
.3 or more	99.7%

- Model TFP3000HEPA - 99.97% efficient at .3 microns.
- A human hair is 100 microns wide.
- Spores and pollen are all larger than 8 microns.
- A micron is 1/1000 of a millimeter, or less than 1/2 of 1/10,000 of an inch.

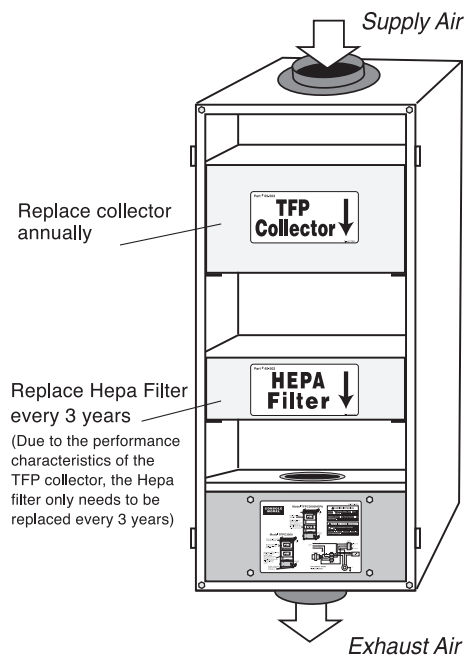
WARRANTY

Units carry a 5 year replacement parts warranty. No warranty on collector/filter.



All units conform to CSA and UL standards

NOTE: All specifications are subject to change without notice.



Date: _____

Tag: _____ Qty: _____

Project: _____

Engineer: _____

Contractor: _____

Supplier: _____

Quote #: _____

Submitted By: _____