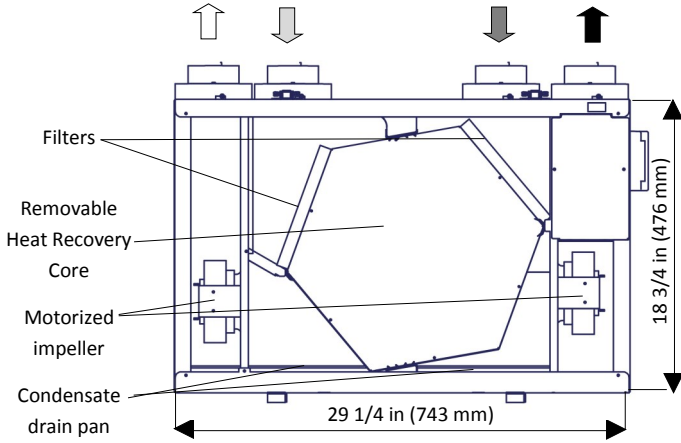


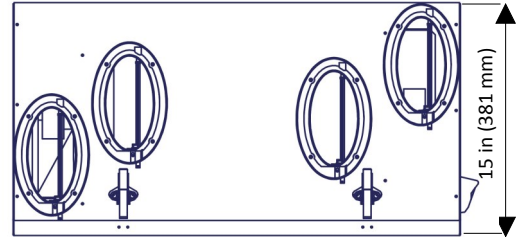
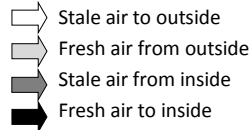
RNC5-HEX-TPF

HEAT RECOVERY VENTILATOR

Dimensions



Weight: 50 lbs (22.7kg) Shipping Weight: 53 lbs (24.1kg)

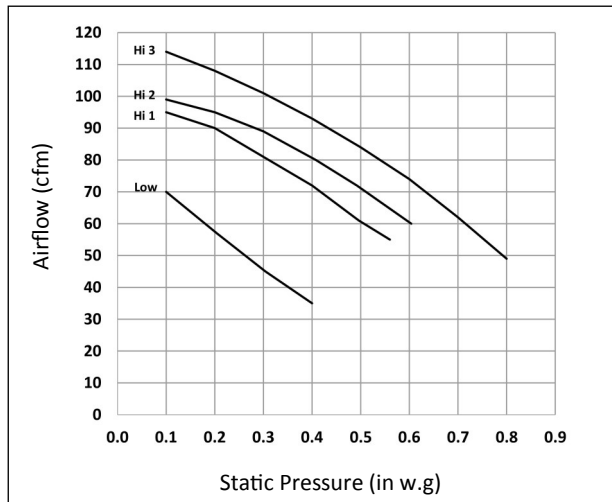


Note: Front clearance of 25 in (635 mm) is recommended for servicing unit. All ducts use 5 in (125 mm) oval collars, balancing dampers are located on all collars.

Performance (HVI Certified)

In. wg. (Pa)	0.1 (25)	0.2 (50)	0.3 (75)	0.4 (100)	0.5 (125)	0.6 (150)	0.7 (175)	0.8 (200)
	cfm (L/s)	cfm (L/s)	cfm (L/s)	cfm (L/s)	cfm (L/s)	cfm (L/s)	cfm (L/s)	cfm (L/s)
Net Supply Airflow	114 (54)	108 (51)	102 (48)	93 (44)	85 (40)	74 (35)	61 (29)	49 (23)
Gross Supply Airflow	114 (54)	108 (51)	102 (48)	93 (44)	85 (40)	74 (35)	61 (29)	49 (23)
Gross Exhaust Airflow	110 (52)	104 (49)	97 (46)	89 (42)	81 (38)	72 (34)	59 (28)	47 (22)

Electrical Specifications:	
VAC @ 60Hz	120
Watts / Low Speed	34
Watts / High Speed	55
Amp Rating	0.5



Sensible Effectiveness (ASE) @ 49 cfm (23 L/s)	32°F (0°C)	81%
Sensible Effectiveness (ASE) @ 64 cfm (30 L/s)	32°F (0°C)	79%
Sensible Efficiency (SRE) @ 49 cfm (23 L/s)	32°F (0°C)	77%
Sensible Efficiency (SRE) @ 64 cfm (30 L/s)	32°F (0°C)	76%
Sensible Efficiency (SRE) @ 68 cfm (32 L/s)	-13°F (-25°C)	66%

Sensible Efficiency:

Thermal

Effectiveness:

Based on temperature differential between the two airstreams

Efficiency:

Takes into account all power inputs and leakage

WARRANTY Units carry a lifetime warranty on the HRV core and a 5 year replacement parts warranty.

Date: _____ Contractor: _____
 Tag: _____ Qty: _____ Supplier: _____
 Project: _____ Quote#: _____
 Engineer: _____ Submitted By: _____
 Control: _____ Timer: _____ Timer Qty: _____



All units conform to CSA and UL standards



511 McCormick Blvd.
 London, ON, Canada
 N5W 4C8
 1-800-247-4200