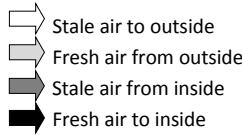
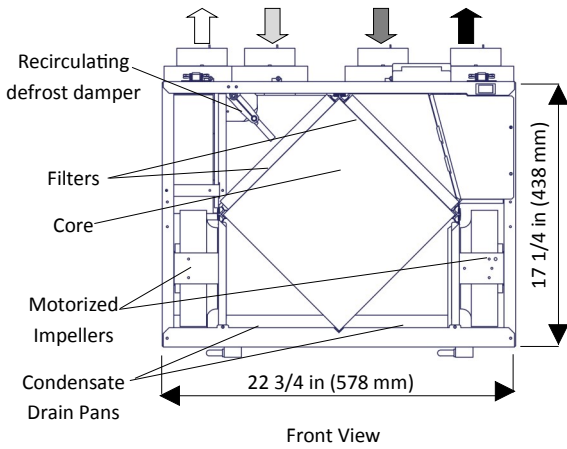




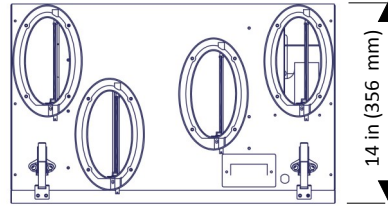
# 130 ERVD

## ENERGY RECOVERY VENTILATOR

### Dimensions



Weight: 51 lbs (23 kg) Shipping Weight: 54 lbs (25 kg)

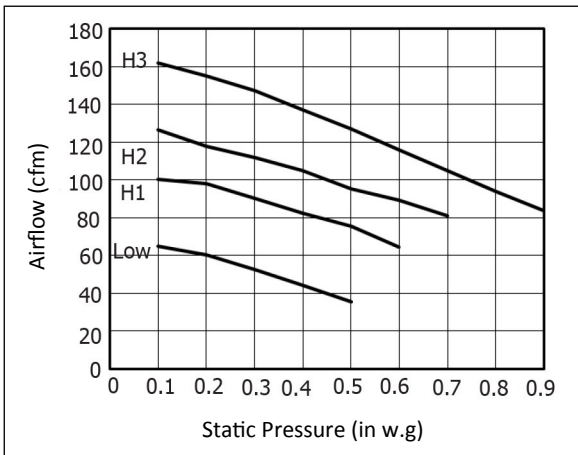


**Note:** Front clearance of 25 in (635 mm) is recommended for servicing unit. All ducts use 5 in (125 mm) oval collars, balancing dampers are located on all collars.

### Performance (HVI Certified)

In. wg. (Pa)	0.1 (25)	0.2 (50)	0.3 (75)	0.4 (100)	0.5 (125)	0.6 (150)	0.7 (175)	0.8 (200)	0.9 (225)
	cfm (L/s)	cfm (L/s)	cfm (L/s)	cfm (L/s)	cfm (L/s)	cfm (L/s)	cfm (L/s)	cfm (L/s)	cfm (L/s)
Net Supply Airflow	162 (76)	155 (73)	147 (69)	137 (65)	127 (60)	116 (55)	105 (49)	94 (44)	84 (39)
Gross Supply Airflow	164 (77)	157 (74)	148 (70)	139 (66)	128 (61)	117 (55)	106 (50)	95 (45)	85 (40)
Gross Exhaust Airflow	150 (71)	140 (66)	131 (62)	122 (58)	114 (54)	105 (50)	97 (46)	88 (42)	80 (38)

Electrical Specifications:	
VAC @ 60Hz	120
Watts / Low Speed	66
Watts / High Speed	102
Amp Rating	1.7



Sensible Effectiveness (ASE) @ 64 cfm (30 L/s)	32°F (0°C)	86%
Sensible Efficiency (SRE) @ 48 cfm (23 L/s)	32°F (0°C)	75%
Sensible Efficiency (SRE) @ 64 cfm (30 L/s)	32°F (0°C)	75%
Sensible Efficiency (SRE) @ 65 cfm (31 L/s)	-13°F (-25°C)	60%
Total Efficiency (TRE) @ 65 cfm (31 L/s)	95°F (35°C)	48%

**Sensible Efficiency:** Thermal  
**Total Efficiency:** Moisture and Thermal @ 95°F (35°C)  
**Effectiveness:** Based on temperature differential between the 2 airstreams  
**Efficiency:** Takes into account all power inputs and leakage

**WARRANTY** Units carry a 5 year warranty on the ERV core and a 5 year replacement parts warranty.

Date: \_\_\_\_\_ Contractor: \_\_\_\_\_  
 Tag: \_\_\_\_\_ Qty: \_\_\_\_\_ Supplier: \_\_\_\_\_  
 Project: \_\_\_\_\_ Quote#: \_\_\_\_\_  
 Engineer: \_\_\_\_\_ Submitted By: \_\_\_\_\_  
 Control: \_\_\_\_\_ Timer: \_\_\_\_\_ Timer Qty: \_\_\_\_\_



All units conform to CSA and UL standards



511 McCormick Blvd.  
 London, ON, Canada  
 N5W 4C8  
 1-800-247-4200