



SPECIFICATIONS

AIRFLOW

1500 cfm (705 L/s) at 1.0"wg ESP.

PERFORMANCE

65% effective at 1500 cfm (705 L/s).

CORES

Six patented aluminum heat recovery cores arranged for efficient cross-flow ventilation.

MOTORS

Two single shaft ECM variable speed, 240V, 9.1 A, 1 ph, 1 hp. (18.2 a total) MCA: 22.8 MOP: 30

BLOWERS

Two direct drive centrifugal blowers, one per airstream.

FILTERS

Two - 20" x 16" x 2" (508 mm x 406 mm x 50 mm) pleated filters in each airstream. MERV6 efficiency 60% @ 4.69 microns.

CONNECTION DUCT SIZES

Two 19" x 16" (482 mm x 406 mm) to and from building under cabinet.

Two 18" x 17" (457 mm x 431 mm) hoods included on side of cabinet with washable screens.

CABINET

20 gauge powder coated steel 1" (25 mm) thick Elastomeric insulation.

DRAIN

Two powder coated galvanized steel drain pans with 1/2" (12 mm) O.D. drain connections.

MOUNTING

Unit to be set on support brackets hung by threaded rod type apparatus. Brackets and rod not included.

ELECTRONICS

Integrated microprocessor circuit board. Three (3) independently adjustable motor speeds.

CONTROL OPTIONS

99-BC02 Lifebreath Ventilation Control

- 2 speed fan setting (Low/High)
- Humidity control through adjustable Dehumidistat
- Compatible with 99-DET02 Wireless Timers
- 3 wire connection; 20 gauge wire (minimum)

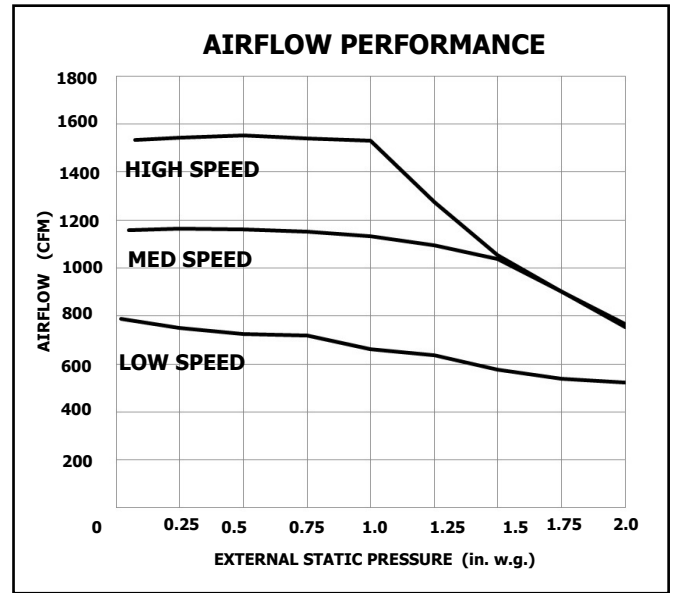
99-500 3 Speed Control

- 3 Speed Fan setting (Low/Medium/High)
- 4 wire connection; 20 gauge wire (minimum)

99-DH01 Lifebreath Dehumidistat

- Humidity control through adjustable Dehumidistat
- 3 wire connection; 20 gauge wire (minimum)

DIMENSIONS 1500E-ECM (in inches)



DEFROST

Factory set defrost time. Supply motor is shut off while exhaust air defrosts core.

WEIGHT 530 lbs (240 kg) **SHIPPING WEIGHT** 650 lbs (290 kg)

TIMER OPTIONS

99-DET01 Lifebreath 20/40/60 Minute Timer

- Initiates high speed Ventilation for 20, 40 or 60 minutes
- 3 wire connection; 20 gauge wire (minimum)

99-DET02 Lifebreath WIRELESS 20/40/60 Minute Timer

- Initiates high speed Ventilation for 20, 40 or 60 minutes
- Wirelessly connects to main control for ease of installation
- 40' approximate range

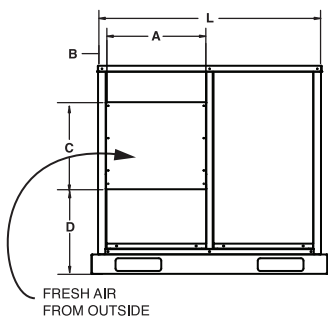
99-RX02 Lifebreath WIRELESS Repeater

- Used to extend range of 99-DET02 Wireless Timers when Timers are out of range
- Plugs into 120V power outlet and wirelessly connects to main control and 99-DET02

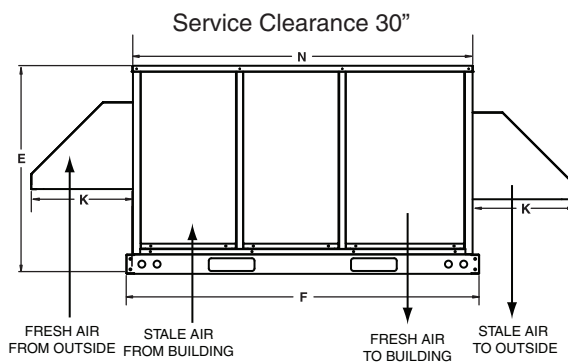
WARRANTY

Units carry a 15 year warranty on the HRV core and a 2 year replacement parts warranty.

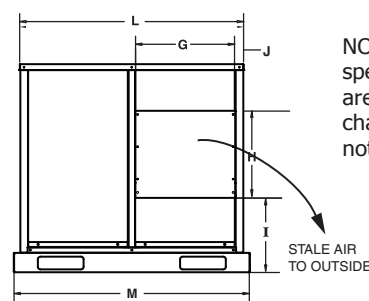
	A	B	C	D	E	F	G	H	I	J	K	L	M	N
EFD inches	20	1.5	17	16.5	41	69.5	20	17	14.5	1.5	20	44	46.5	67
EFD mm	508	38	432	419	1041	1765	508	432	368	39	508	1118	1181	1702



INLET END VIEW



SIDE VIEW



OUTLET END VIEW

NOTE: All specifications are subject to change without notice.

All units conform to CSA and UL standards.

Date: _____

Tag: _____ Qty: _____

Project: _____

Engineer: _____

Contractor: _____

Supplier: _____

Quote#: _____

Submitted by: _____