



**ENGINEERING DATA**

**TOTAL RECOVERY CORE**

The cross-flow energy recovery core transfers heat and water vapor between the two airstreams. It is easily removed for cleaning or service.

**MOTORS AND BLOWERS**

Each airstream has an independent motorized impeller, with multiple fan speed operation.

**FILTERS**

Washable pre filters in exhaust and supply airstreams.

**MOUNTING THE ERV**

Hanging straps supplied with the unit.

**FROST PREVENTION**

Temperature sensor activated, supply bypass routes indoor air to defrost core. Drains not required.

**CASE**

20 gauge prepainted galvanized steel for superior corrosion resistance, insulated to prevent exterior condensation.

**INSTALLER SELECTABLE HIGH SPEED SETTINGS**

The highest speed, "H3" is the factory setting. Installers may select a lower high speed on set up. See chart for airflows H1, H2, and H3.

**ELECTRONICS**

The main control can be wall mounted in a central location. 3 wire 20 gauge (min.) 100 ft length (max.).

**CONTROL OPTIONS**

**99-DXPL02 Lifebreath Digital Control**

- 5 speed operation on each mode
- Humidity control through adjustable Dehumidistat
- 5 user selectable operational modes: Continuous Ventilation, Continuous Recirculation, 20 ON/40 OFF, 10 ON/50 OFF, 20 ON/40 Recirculation
- 20/40/60 min. High speed override button
- Compatible with 99-DET02 Wireless Timers
- 3 wire connection

**99-BC04 Lifebreath Ventilation Control**

- 2 speed fan setting (Low/High)
- 2 modes of operation: Ventilation, 20/40
- Compatible with 99-DET02 Wireless Timers
- 3 wire connection

**TIMER OPTIONS**

**99-DET01 Lifebreath 20/40/60 Minute Timer** - Initiates High speed Ventilation for 20, 40 or 60 minutes. 3 wire connection.

**99-DET02 WIRELESS Lifebreath 20/40/60 Minute Timer** - Initiates High speed Ventilation for 20, 40 or 60 minutes. Wirelessly connects to main control for ease of installation. 40' approximate range.

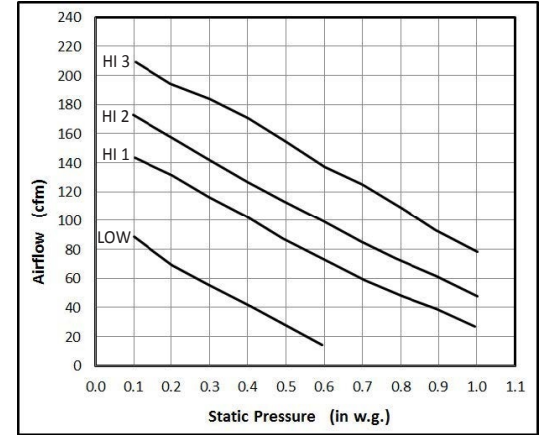
**99-RX02 WIRELESS Repeater** - Used to extend range of 99-DET02 Wireless Timers. Plugs into 120V power outlet. Wirelessly connects to main control and 99-DET02. Install at halfway point between timer and main wall control if timer is out of range.

**ACCESSORY OPTIONS**

**99-163 Duct Heater w/Electronic SCR Thermostat** - 1 kW, 6 in (152 mm)

**99-186 Weatherhoods** - Two 6 in (152 mm)

Performance		
Net supply airflow in cfm (L/s) against external static pressure		
External Static Pressure	Airflow	
@ 0.1 in (25 Pa)	209 cfm (99 L/s)	
@ 0.2 in (50 Pa)	194 cfm (92 L/s)	
@ 0.3 in (75 Pa)	184 cfm (87 L/s)	
@ 0.4 in (100 Pa)	170 cfm (80 L/s)	
@ 0.5 in (125 Pa)	154 cfm (73 L/s)	
@ 0.6 in (150 Pa)	137 cfm (65 L/s)	
@ 0.7 in (175 Pa)	125 cfm (59 L/s)	
@ 0.8 in (200 Pa)	108 cfm (51 L/s)	
@ 0.9 in (225 Pa)	93 cfm (44 L/s)	
@ 1.0 in (250 Pa)	78 cfm (37 L/s)	
Max. Temperature Recovery		87%
Sensible Effectiveness		
@ 64 cfm (30 L/s)	32°F (0°C)	87%
Total Efficiency		
@ 64 cfm (30 L/s)	95°F (35°C)	53%
VAC @ 60Hz		120
Watts / Low speed		64
Watts / High speed		96
Amp rating		1.4



**Total Efficiency:** Moisture and Thermal @95F

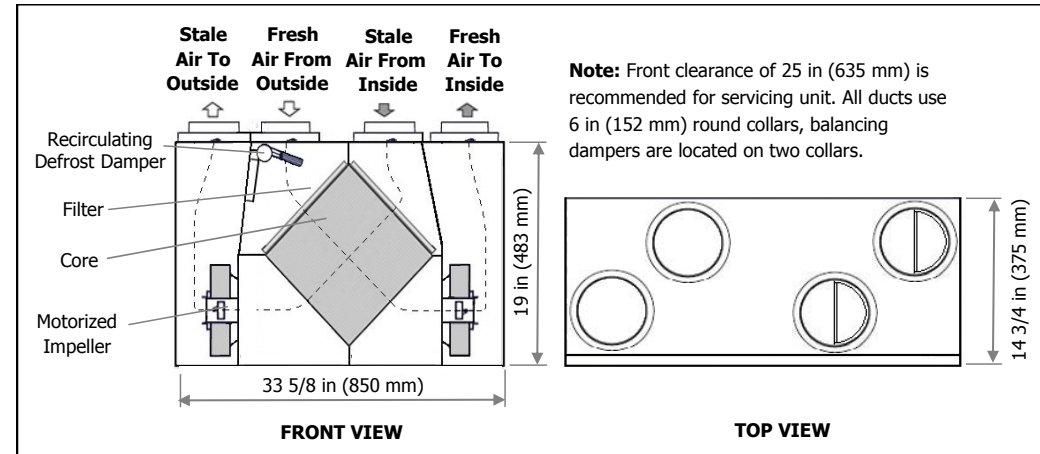
**Effectiveness:** Based on temperature differential between the 2 airstreams



All units conform to CSA and UL standards

**DIMENSIONS 230 ERVR**

**WEIGHT 75 lbs (34 kg) SHIPPING WEIGHT 77 lbs (35 kg)**



**NOTE:** All specifications are subject to change without notice.

**WARRANTY**

Units carry a 5 year warranty on the ERV core and a 5 year replacement parts warranty.

Date: \_\_\_\_\_ Contractor: \_\_\_\_\_

Tag: \_\_\_\_\_ Qty: \_\_\_\_\_ Supplier: \_\_\_\_\_

Project: \_\_\_\_\_ Quote #: \_\_\_\_\_

Engineer: \_\_\_\_\_ Submitted By: \_\_\_\_\_