



AIR FLOW

2500 cfm (1175 L/s) at 1.0" wg ESP

PERFORMANCE

70% effective at 2500 cfm (1172 L/s)

CORE

Modular aluminum sensible heat recovery core. Plate-to-plate type. Slides out of either side of cabinet for service.

MOTORS

Two single shaft PSC, 3-speed, 240 Vac, 6.5 amps, 1ph, 1hp, 3 speed motor (2 speeds available; 13.0 amps total). MCA: 16.3 MOP: 20

BLOWERS

Two direct-drive centrifugal blowers, one per air stream.

FILTERS

Two 18" X 24" (457 mm x 610 mm) 4-inch pleated filters in each air stream.

DUCT CONNECTIONS

Two 24" X 16" (610mm X 406mm) to and from the building under cabinet. Two 28" X 18" (711mm X 457mm) hoods included on side of cabinet with screens.

CABINET

20 gauge powder coated galvanized steel (G60) for superior corrosion resistance. 16 gauge galvanized frame, insulated with 1.0" fiberglass insulation to prevent condensation.

DRAIN

Two stainless steel drain pans with 1/2" (12 mm) NPT drain spouts.

MOUNTING

Rooftop mounted on optional roof curb (Part No. 53-2500)

CONTROLS

Integrated microprocessor board, optional remote 2 speed control, built in interlock contacts

DEFROST

Factory set defrost time. Supply motor is shut off while exhaust air defrosts core.

WEIGHT 710 lbs. **SHIPPING WEIGHT** 930 lbs.

OPTIONAL CURB

WEIGHT 50 lbs.

CONTROL OPTIONS

99-BC02 Lifebreath Ventilation Control

- 2 speed fan setting (Low/High)
- Humidity control through adjustable Dehumidistat
- Compatible with 99-DET02 Wireless Timers
- 3 wire connection; 20 gauge wire (minimum)

99-DH01 Lifebreath Dehumidistat

- Humidity control through adjustable Dehumidistat
- 3 wire connection; 20 gauge wire (minimum)

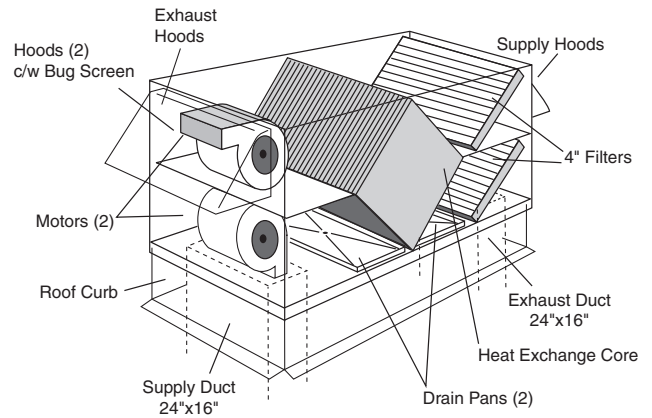
TIMER OPTIONS

99-DET01 Lifebreath 20/40/60 Minute Timer

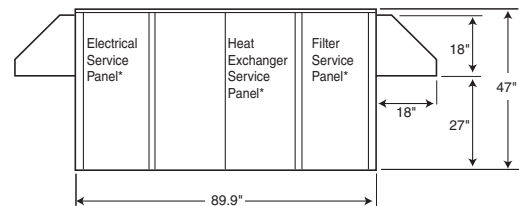
- Initiates high speed Ventilation for 20, 40 or 60 minutes
- 3 wire connection; 20 gauge wire (minimum)

99-DET02 Lifebreath WIRELESS 20/40/60 Minute Timer

- Initiates high speed Ventilation for 20, 40 or 60 minutes
- Wirelessly connects to main control for ease of installation
- 40' approximate range

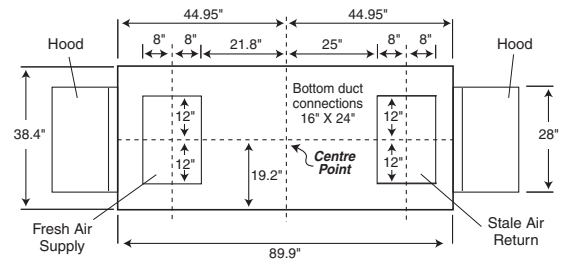


*NOTE: Roof curb is one inch smaller than outside dimensions of cabinet.



SIDE VIEW

*NOTE: Removable service access panels on both sides of 2500EFD cabinet.



BOTTOM VIEW

Service clearance - 42" on electrical panel side

WARRANTY

Units carry a 15 year warranty on the HRV core and a 2 year replacement parts warranty.

All units conform to CSA and UL standards

NOTE: All specifications are subject to change without notice.



AHRI 1060 Certified Core:
Contains one 68-2500

Date: _____
 Tag: _____ Qty: _____
 Project: _____
 Engineer: _____

Contractor: _____
 Supplier: _____
 Quote#: _____
 Submitted by: _____