



**CORES**

Modular (2 section) patented aluminum heat recovery cores arranged for efficient counter-flow ventilation

**MOTORS**

Two PSC, 3 speed single shafted, 120 VAC, 4.5 Amps each (9 total on high speed). HP - 1/4, 1450 RPM. Watts - total on high speed - 1032. MCA: 11.3 MOP: 15

**FILTERS**

Washable air filters in exhaust and supply air streams.

**BLOWERS**

Slide easily in / out of unit. Centrifugal type rated at 700 cfm (329 L/s) free air delivery. Each air stream has one single shafted motor driving a centrifugal blower.

**CONNECTION DUCT SIZES**

Five - 14" x 8" H (356 mm x 200 mm H).

**MOUNTING**

Unit to be set on support brackets hung by threaded rod type apparatus. (brackets and rod not provided.)

**CASE**

Unit has front and back access doors and electrical panel can be switched to either side giving installer flexibility in duct direction. 20 gauge prepainted galvanized steel (G60) for superior corrosion resistance. Insulated with foil faced insulation duct liner where required to prevent exterior condensation. Drain connections; two - 1/2" (12mm) O.D.

**ELECTRONICS**

Integrated microprocessor circuit board. Built-in interlock contacts.

**DEFROST**

Supply bypass routes indoor air to defrost core.

**WEIGHT** 260 LBS (118 KG) **SHIPPING WEIGHT** 310 LBS. (141 KG)

**INCLUDED CONTROL**

**99-DH01 Lifebreath Dehumidistat**

- Humidity control through adjustable Dehumidistat
- 3 wire connection; 20 gauge wire (minimum)

**DIMENSIONS** inches (mm)

**NOTE:**

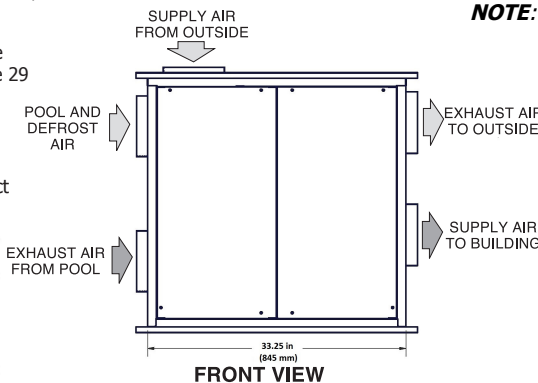
The 700POOL model may easily be reversed in the field. Refer to page 29 for installation instructions.

All units conform to CSA and UL standards

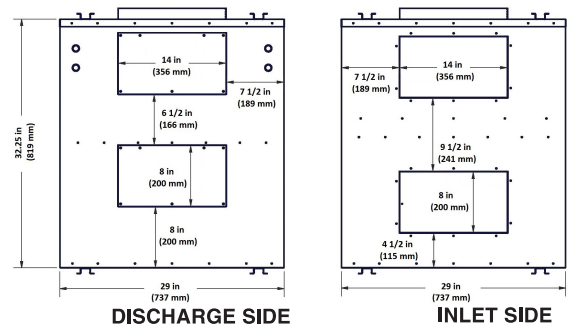
**NOTE:** All specifications are subject to change without notice.

**WARRANTY**

Units carry a 15 year warranty on the HRV core and a 2 year replacement parts warranty.

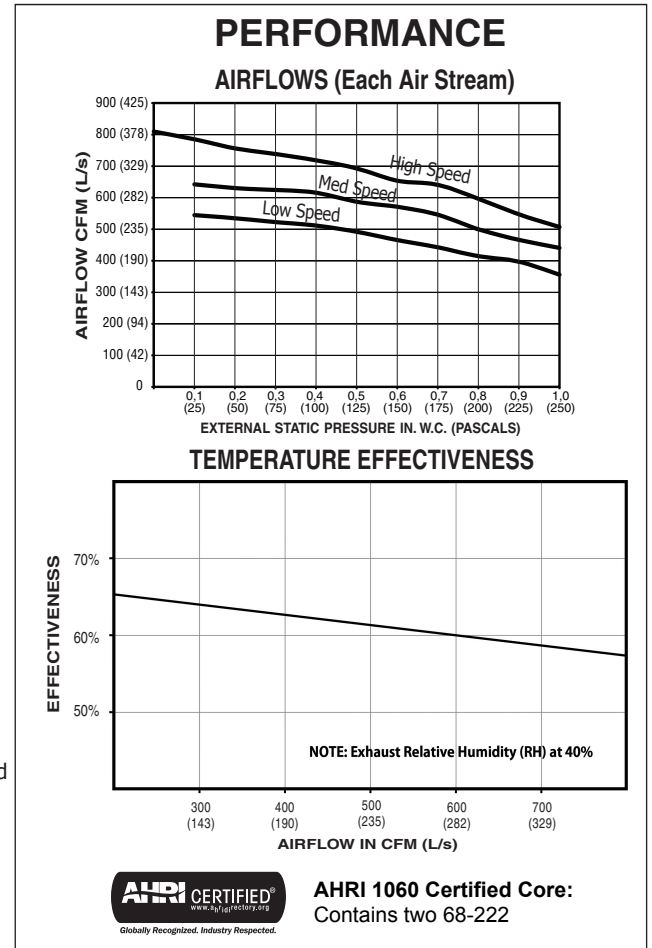


**NOTE:** Service clearance of 30 in. (760 mm) from front access doors



Date: \_\_\_\_\_  
 Tag: \_\_\_\_\_ Qty: \_\_\_\_\_  
 Project: \_\_\_\_\_  
 Engineer: \_\_\_\_\_

Contractor: \_\_\_\_\_  
 Supplier: \_\_\_\_\_  
 Quote#: \_\_\_\_\_  
 Submitted by: \_\_\_\_\_



**CONTROL OPTIONS**

**99-BC02 Lifebreath Ventilation Control**

- 2 speed fan setting (Low/High)
- Humidity control through adjustable Dehumidistat
- Compatible with 99-DET02 Wireless Timers
- 3 wire connection; 20 gauge wire (minimum)

**99-500 3 Speed Control**

- 3 Speed Fan setting (Low/Medium/High)
- 4 wire connection; 20 gauge wire (minimum)

**FILTER OPTIONS**

**99-65-183** 2" pleated MERV 8 filter for fresh air stream