

170 ERVD

ENERGY RECOVERY VENTILATOR



ENGINEERING DATA

TOTAL RECOVERY CORE

Cross-flow energy recovery core transfers heat and water vapor between two air-streams. Easily removed for cleaning or service.

MOTORS AND BLOWERS

Each airstream has an independant motorized impeller with multiple fan speed operations.

INTELLIGENT DEFROST DAMPER MOTOR

- Smart damper motor with integrated circuit board
- Energy efficient DC motor
- Power saving standby mode when not cycling
- Integrated ice breaker technology
- Temperature compensated torque for reliable operation in any application
- Auto-sensed memory storage of opened and closed positions
- Soft sealing for extended part life

FILTERS

Washable air filters in exhaust and supply air streams.

MOUNTING

Four threaded inserts at corners of the cabinet designed to accept the "s" hooks and hanging straps supplied with the unit.

DEFROST

Recirculating damper defrost system.

CASE

Twenty gauge prepainted galvanized steel for superior corrosion resistance. Insulated to prevent exterior condensation. Drain connections 2 - 1/2 in. (12 mm) OD. Balancing ports are located on door.

INSTALLER SELECTABLE HIGH SPEED SETTINGS

Highest speed, "H3" is the factory setting. Installers may select a lower high speed on set up. See chart for airflows H1, H2, and H3.

ELECTRONICS

Main control can be wall mounted in a central location. 3 wire 20 gauge (min.) 100 ft. length (max.)

OPTIONAL ACCESSORIES:

Weather Hoods
99-186



Wireless 20/40/60 Min Timer
99-DETO2



TechGrille
99-EAG4
99-EAG5
99-EAG6
99-EAG8



Terminator Fitting
99-TM4
99-TM5



LIFEBREATH CONTROL OPTIONS

FEATURES	99-DXPL02	99-BC02	99-BC03	99-BC04
5 speed fan operation on each mode	✓			
2 speed fan operation (Low/High)		✓		✓
Continuous low speed fan operation			✓	
Humidity control through adjustable Dehumidistat	✓	✓	✓	
Large digital LCD screen	✓			
LED status indicator lights		✓	✓	✓
Continuous Ventilation	✓		✓	
Continuous Recirculation	✓		✓	
20 ON/40 OFF	✓			
10 ON/50 OFF	✓			
20 ON/40 Recirculation	✓		✓	✓
20/40/60 min. High speed override button	✓			
Compatible with 99-DETO2 Wireless Timer	✓	✓	✓	✓
3 wire connection	✓	✓	✓	✓

TIMER OPTIONS

99-DETO1 - Lifebreath 20/40/60 Minute Timer
Initiates high speed Ventilation for 20, 40 or 60 minutes. 3 wire connection.

99-DETO2
Wireless Lifebreath 20/40/60 Minute Timer
Initiates high speed Ventilation for 20, 40 or 60 minutes. Wirelessly connects to main control for ease of installation. 40' approximate range. Exclusive to Lifebreath.

99-RX02 - Wireless Lifebreath Repeater
Extends range of 99-DETO2 Wireless Timers. Plugs into 120V power outlet. Wirelessly connects to main control and 99-DETO2. Install at halfway point between timer and main wall control if timer is out of range.



99-DXPL02



99-DETO2



www.lifebreath.com

170 ERVD

ENERGY RECOVERY VENTILATOR

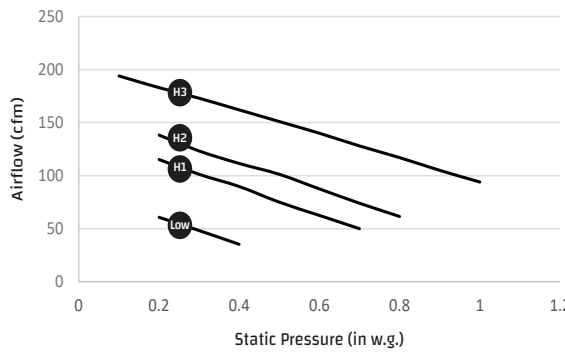


PERFORMANCE (HVI CERTIFIED)

IN. W.G. (PA)	0.1 (25) CFM (L/s)	0.2 (50) CFM (L/s)	0.3 (75) CFM (L/s)	0.4 (100) CFM (L/s)	0.5 (125) CFM (L/s)	0.6 (150) CFM (L/s)	0.7 (175) CFM (L/s)	0.8 (200) CFM (L/s)
Net Supply Airflow	195 (93)	184 (87)	172 (81)	161 (76)	150 (71)	140 (66)	129 (61)	117 (55)
Gross Supply Airflow	195 (92)	184 (87)	174 (82)	163 (77)	153 (72)	140 (66)	129 (61)	117 (55)
Gross Exhaust Airflow	180 (85)	170 (80)	161 (76)	150 (71)	142 (67)	131 (62)	123 (58)	112 (53)

ELECTRICAL SPECIFICATIONS	
VAC @ 60Hz	120
Watts / Low Speed	62
Watts / High Speed	142
Amp Rating	1.4

Sensible Effectiveness (ASE) @ 64 CFM (30 L/s)	32°F (0°C)	85%
Sensible Efficiency (SRE) @ 65 CFM (31 L/s)	32°F (0°C)	75%
Sensible Efficiency (SRE) @ 50 CFM (24 L/s)	32°F (0°C)	76%
Total Efficiency (TRE) @ 64 CFM (30 L/s)	95°F (35°C)	48%
Sensible Efficiency (SRE) @ 68 CFM (32 L/s)	-13°F (-25°C)	58%



WEIGHT:
57 LBS (25.8 KG)

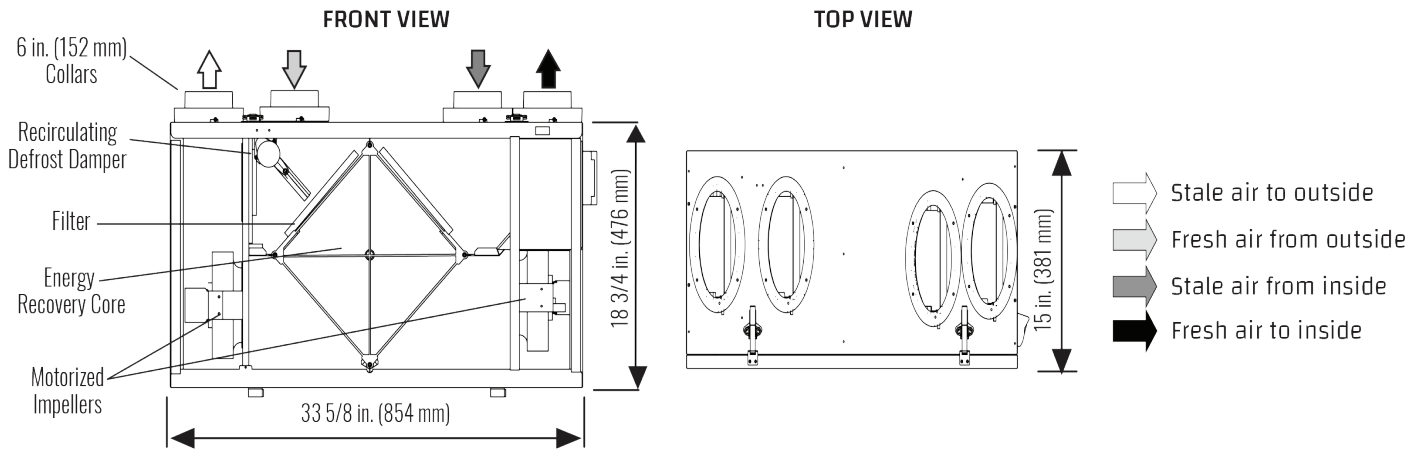
SHIPPING WEIGHT:
67 LBS (30 KG)

NOTE:

Front clearance of 25 in. (635 mm) is recommended for servicing unit. All ducts use 6 in. (152 mm) oval collars, balancing dampers are located on all collars.



DIMENSIONS



Date: _____

Tag: _____

Project: _____ Qty: _____

Engineer: _____

Control: _____

Contractor: _____

Supplier: _____

Quote #: _____

Submitted By: _____

Timer: _____ Timer Qty: _____

WARRANTY
Units carry a 5 year warranty on the enthalpic (ERV) core and a 5 year replacement parts warranty.

All units conform to CSA and UL standards



www.lifebreath.com