

METRO 120F

HEAT RECOVERY VENTILATOR



BRINGING COMPACT TO A WHOLE NEW LEVEL

- Designed for high-rise condos, apartments and townhomes with limited mechanical space
- Low profile, fits in bulk head and drop ceilings, slim height 9.75"
- 50-130 CFM operational range
- 3 High speed selections
- Brackets included for easy install
- Aluminum HEX Core for superior energy transfer
- Fan Defrost
- Multi-positional drain
- Removable motor and electronic assembly for easy maintenance and servicing
- Swing open e-box cover for quick access to circuit board and dip switches
- Convenient hinged door – no screws

ENGINEERING DATA:

THERMALLY CONDUCTIVE, PATENTED ALUMINUM HEX CORE

Counter-flow heat recovery core transfers heat between two airstreams. It is easily removed for cleaning or service.

MOTORS AND BLOWERS

Each airstream has an independent centrifugal blower with multiple fan speed operation.

FILTERS

Washable air filters in exhaust and supply airstreams.

MOUNTING

Mounting brackets supplied.

CASE

20 gauge prepainted galvanized steel for superior corrosion resistance, insulated to prevent exterior condensation.

INSTALLER SELECTABLE HIGH SPEED SETTINGS

Adjustable DIP switches are located on the circuit board, Hi3 is the factory setting. Refer to the installation manual for the adjustment instructions.

ELECTRONICS

Main control can be wall mounted in a central location. 3 wire 20 gauge (min.) 100 ft. length (max.)

CONTROLS

FEATURES	99-DXPLO2	99-BC02	99-BC03	99-BC04
5 speed fan operation on each mode	✓			
2 speed fan operation (Low/High)		✓		✓
Continuous low speed fan operation	✓	✓	✓	✓
Humidity control through adjustable Dehumidistat	✓	✓	✓	
Large digital LCD screen	✓			
LED status indicator lights		✓	✓	✓
Continuous Ventilation	✓	✓	✓	✓
Continuous Recirculation	✓		✓	
20 ON/40 OFF	✓		✓	✓
10 ON/50 OFF	✓			
20 ON/40 Recirculation	✓		✓	✓
20/40/60 min. High speed override button	✓			
Compatible with 99-DET02 Wireless Timer	✓	✓	✓	✓
3 wire connection	✓	✓	✓	✓

TIMER OPTIONS

99-DET01 - Lifebreath 20/40/60 Minute Timer

Initiates high speed ventilation for 20, 40 or 60 minutes. 3 wire connection.

99-DET02 - Wireless Lifebreath 20/40/60 Minute Timer

Initiates high speed ventilation for 20, 40 or 60 minutes. Wirelessly connects to main control for ease of installation. 40' approximate range. **Exclusive to Lifebreath.**

99-RX02 - Wireless Lifebreath Repeater

Extends range of 99-DET02 Wireless Timers. Plugs into 120V power outlet. Wirelessly connects to main control and 99-DET02. Install at halfway point between timer and main wall control if timer is out of range.

ACCESSORIES

99-163 Duct heater

w/ Electronic SCR Thermostat - 1 kW, 6 in (152 mm).

99-185 Weatherhoods

Two 5 in (127 mm)

99-190 Dual Hood

One 6 in (152 mm) opening for supply and exhaust.



99-DET02



99-BC04

METRO 120F

HEAT RECOVERY VENTILATOR

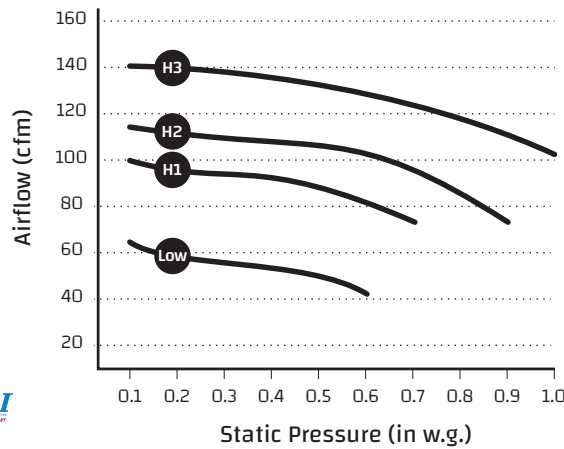


PERFORMANCE (HVI CERTIFIED)

IN. W.G. (PA)	0.2 (50) CFM (L/s)	0.3 (75) CFM (L/s)	0.4 (100) CFM (L/s)	0.5 (125) CFM (L/s)	0.6 (150) CFM (L/s)	0.7 (175) CFM (L/s)	0.8 (200) CFM (L/s)	0.9 (225) CFM (L/s)
Net Supply Airflow	135 (64)	130 (62)	126 (60)	122 (57)	117 (55)	112 (53)	106 (50)	100 (47)
Gross Supply Airflow	135 (64)	131 (62)	127 (60)	122 (58)	117 (55)	112 (53)	107 (50)	101 (47)
Gross Exhaust Airflow	135 (64)	132 (62)	128 (60)	124 (58)	119 (56)	115 (54)	110 (52)	105 (49)

ELECTRICAL SPECIFICATIONS	
VAC @ 60Hz	120
Watts / Low Speed	60
Watts / High Speed	154
Amp Rating	1.4

Sensible Effectiveness (ASE) @ 48 CFM (23 L/s)	32°F (0°C)	80%
Sensible Effectiveness (ASE) @ 65 CFM (31 L/s)	32°F (0°C)	77%
Sensible Efficiency (SRE) @ 48 CFM (23 L/s)	32°F (0°C)	68%
Sensible Efficiency (SRE) @ 65 CFM (31 L/s)	32°F (0°C)	68%



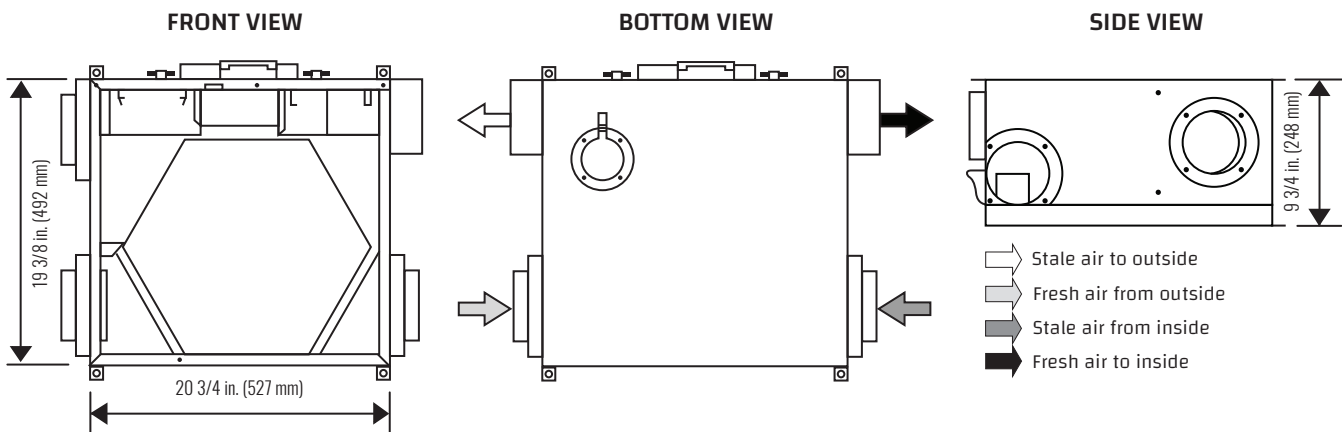
WEIGHT:
34 LBS (15.5 KG)

SHIPPING WEIGHT:
36 LBS (16 KG)

NOTE:
Front clearance of 25 in. (635 mm)
is recommended for servicing unit. All
ducts use 5 in. (125 mm) round collars.



DIMENSIONS



Date: _____

Contractor: _____

Tag: _____

Supplier: _____

Project: _____ Qty: _____

Quote #: _____

Engineer: _____

Submitted By: _____

Control: _____

Timer: _____ Timer Qty: _____

WARRANTY

Units carry a lifetime warranty on the HRV core and a 5 year replacement parts warranty.

All units conform to CSA and UL standards