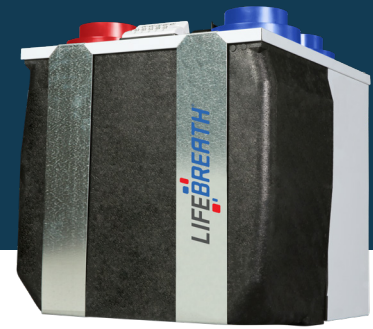


RNC4-TPF

HEAT RECOVERY VENTILATOR



ENGINEERING DATA

THERMALLY CONDUCTIVE, PATENTED ALUMINUM CORE

The cross-flow heat recovery core transfers heat between the two airstreams. It is easily removed for cleaning or service.

MOTORS AND BLOWERS

Each airstream has an independent motorized impeller with multiple fan speed operations.

FILTERS

Washable air filters in exhaust and supply airstreams.

MOUNTING

Four threaded inserts at corners of the cabinet designed to accept the "S" hooks and hanging straps supplied with the unit.

DEFROST

Fan defrost. Temperature sensor activated, periodically shuts down supply motor.

CASE

Twenty gauge prepainted galvanized steel for superior corrosion resistance. Insulated to prevent exterior condensation. Drain connections 2 - 1/2 in. (12 mm) OD. Balancing ports are located on unit.

INSTALLER SELECTABLE HIGH SPEED SETTINGS

Adjustable DIP switches are located on the circuit board, Hi3 is the factory setting. Refer to the Installation manual for the adjustment instructions.

ELECTRONICS

The optional control can be wall mounted in a central location of the home. 3 wire 20 gauge (min.) 100 ft length (max.).

OPTIONAL ACCESSORIES:

Dual Hood
99-190
99-194



Weather Hood
99-185
99-186
99-187



TechGrille
99-EAG4
99-EAG5
99-EAG6
99-EAG8



Terminator Fitting
99-TM4
99-TM5
99-TM6



LIFEBREATH CONTROL OPTIONS

FEATURES	99-DXPLO2	99-BC02	99-BC03	99-BC04
5 speed fan operation on each mode	✓			
2 speed fan operation (Low/High)		✓		✓
Continuous low speed fan operation	✓	✓	✓	✓
Humidity control through adjustable Dehumidistat	✓	✓	✓	
Large digital LCD screen	✓			
LED status indicator lights		✓	✓	✓
Continuous Ventilation	✓	✓	✓	✓
Continuous Recirculation	✓		✓	
20 ON/40 OFF	✓		✓	✓
10 ON/50 OFF	✓			
20 ON/40 Recirculation	✓		✓	✓
20/40/60 min. High speed override button	✓			
Compatible with 99-DET02 Wireless Timer	✓	✓	✓	✓
3 wire connection	✓	✓	✓	✓

TIMER OPTIONS

99-DET01 - Lifebreath 20/40/60 Minute Timer

Initiates high speed Ventilation for 20, 40 or 60 minutes. 3 wire connection.

99-DET02 - Wireless Lifebreath 20/40/60 Minute Timer

Initiates high speed Ventilation for 20, 40 or 60 minutes. Wirelessly connects to main control for ease of installation. 40' approximate range. Exclusive to Lifebreath.

99-RX02 - Wireless Lifebreath Repeater

Extends range of 99-DET02 Wireless Timers. Plugs into 120V power outlet. Wirelessly connects to main control and 99-DET02. Install at halfway point between timer and main wall control if timer is out of range.



99-BC02

99-BC03

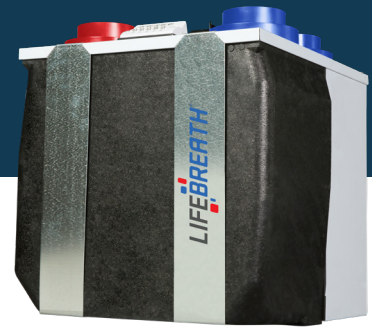
99-BC04

99-DET02

99-DET01

RNC4-TPF

HEAT RECOVERY VENTILATOR

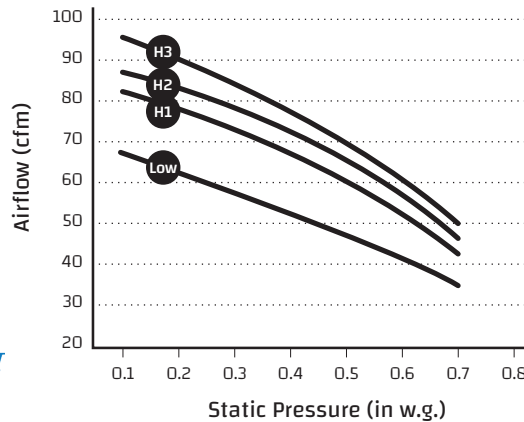


PERFORMANCE (HVI CERTIFIED)

IN. W.G. (PA)	0.2 (50) CFM (L/s)	0.3 (75) CFM (L/s)	0.4 (100) CFM (L/s)	0.5 (125) CFM (L/s)	0.6 (150) CFM (L/s)	0.7 (175) CFM (L/s)
Net Supply Airflow	89 (42)	83 (39)	74 (35)	68 (32)	59 (28)	51 (24)
Gross Supply Airflow	89 (42)	83 (39)	76 (36)	68 (32)	59 (28)	51 (24)
Gross Exhaust Airflow	85 (40)	81 (38)	74 (35)	68 (32)	61 (29)	53 (25)

ELECTRICAL SPECIFICATIONS	
VAC @ 60Hz	120
Watts / Low Speed	38
Watts / High Speed	57
Amp Rating	.48

Sensible Effectiveness (ASE) @ 55 CFM (26 L/s)	32°F (0°C)	75%
Sensible Efficiency (SRE) @ 55 CFM (26 L/s)	32°F (0°C)	67%
Sensible Efficiency (SRE) @ 66 CFM (31 L/s)	32°F (0°C)	66%
Sensible Efficiency (SRE) @ 59 CFM (28 L/s)	-13°F (-25°C)	61%



WEIGHT:
35 LBS (16 KG)

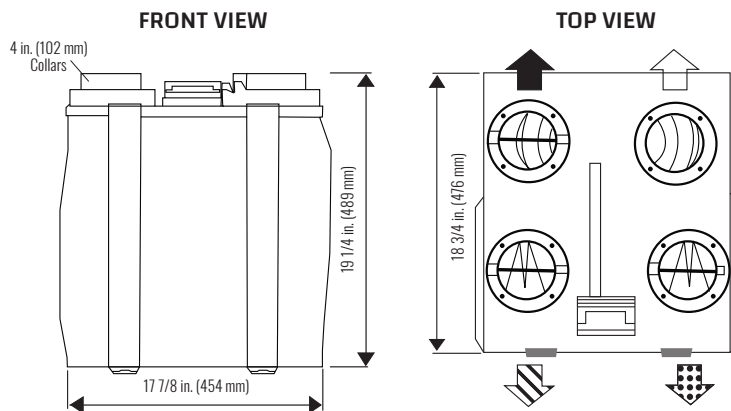
SHIPPING WEIGHT:
38 LBS (17 KG)

NOTE:

Front clearance of 25 in. (635 mm) is recommended for servicing unit. All ducts use 4 in. (102 mm) round collars. Balancing dampers are located in both air streams.



DIMENSIONS



Airflow:

- ◻ Stale Air to Outside
- ◻ Fresh Air from Outside
- ◻ Stale Air from Inside
- ◻ Fresh Air to Inside

Date: _____ Contractor: _____

Tag: _____ Supplier: _____

Project: _____ Qty: _____ Quote #: _____

Engineer: _____ Submitted By: _____

Control: _____ Timer: _____ Timer Qty: _____

WARRANTY

Units carry a lifetime warranty on the HRV core and a 5 year replacement parts warranty.

All units conform to CSA and UL standards



www.lifebreath.com