

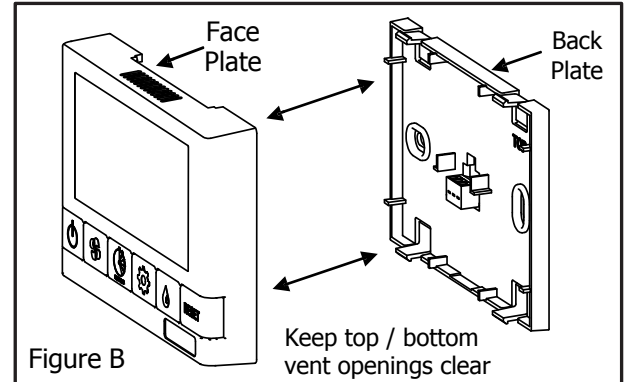
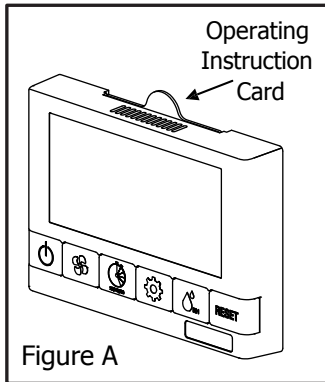
Main Control Installation

The **Lifebreath Digital Control 99-DXPL02** must be surface mounted onto a wall. Only one master control should be installed to a ventilation system (the face plate on this illustration may not be exactly the same as yours).

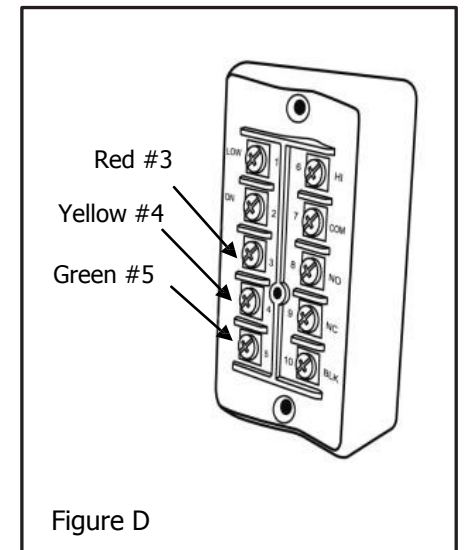
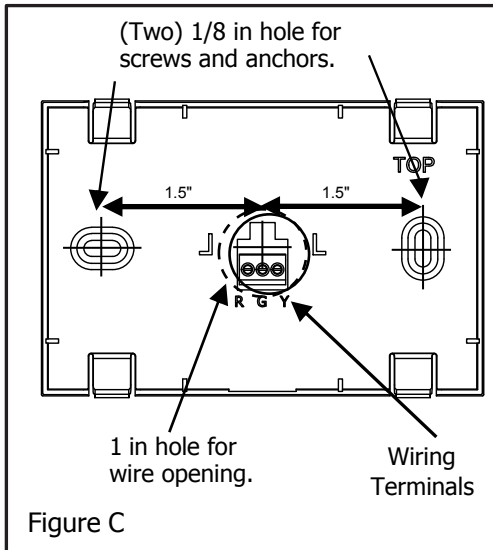
Attention

- Pay special attention not to damage the contact pins when removing and attaching the face plate (Figure B).

1. Remove the operating instructions card from the top of the control (Figure A).
2. Separate the face plate from the back plate by firmly pulling apart (Figure B). Be careful not to damage face plate contact pins.
3. Place the back plate of the control in the desired location on the wall and pencil mark the wall with the right and left screw holes (Figure C).



4. Remove the back plate from the wall and mark the center hole for the wires in the middle of the screw holes. Refer to Figure C for dimensions.
5. Drill a 1 in hole in the wall to allow for the wire opening and drill (two) 1/8 in holes for the screws and wall anchors (Figure C).
6. Pull 3 wire 20 gauge (min.) 100 ft length (max.), through the opening in the wall.
7. Connect red, green, and yellow to the wiring terminals located on the back plate (Figure C).
8. Attach the back plate to the wall using the 2 supplied screws and anchors.



9. Attach the face plate to the back plate (Figure B). Note: Be careful to correctly align the face plate to avoid damaging the face plate contact pins.
10. Insert the operating instructions card into the control (Figure A).
11. Connect the 3 wire 20 gauge (min.) 100 ft length (max.) to the terminal block located on ventilator (Figure D).