

# 170 ERVD

## ENERGY RECOVERY VENTILATOR

Cold weather certified for year-round ventilation



### SUPERIOR PERFORMANCE TOP CHOICE ERV

The compact design of the 170 ERVD model combined with superior performance, makes LifeBreath the top choice. Three units in one by the way of the high-speed select feature allows for maximum control of airflow and comfort. Features a top port design, door port balancing, 6 in. duct connections and our ERV core.

- HVI Cold weather certified ERV
- Enthalpy energy exchange core
- Top-port design with built-in balancing dampers
- Intelligent defrost damper motor
  - Smart damper with integrated circuit board
  - Energy-efficient DC motor
  - Power-saving standby mode
  - Integrated Ice Breaker technology
- Automatic frost prevention with optional drains

### ENGINEERING DATA:

#### TOTAL RECOVERY CORE

Cross-flow energy recover core transfers heat and water vapor between two airstreams. Easily removed for cleaning or service.

#### MOTORS AND BLOWERS

Each airstream has an independent motorized impeller with multiple fan speed operation.

#### FILTERS

Washable MERV-6 air filters in exhaust and supply airstreams. Upgrade to MERV-13 option available.

#### MOUNTING

Adjustable hanging straps supplied.

#### DEFROST

Temperature sensor activated, periodically shuts down supply motor. Drains supplied but not required.

#### CASE

20 gauge pre-painted galvanized steel for superior corrosion resistance, insulated to prevent exterior condensation.

#### INSTALLER SELECTABLE HIGH SPEED SETTINGS

Adjustable DIP switches are located on the circuit board, Hi3 is the factory setting. Refer to the installation manual for the adjustment instructions.

#### ELECTRONICS

Main control can be wall mounted in a central location. 3 wire 20 gauge (min.) 100 ft. length (max.)

### OPTIONAL ACCESSORIES:

**Dual Hood**  
99-190  
99-194



**Weather Hood**  
99-185  
99-186  
99-187



**TechGrille**  
99-EAG4  
99-EAG5  
99-EAG6  
99-EAG8



**Terminator Fitting**  
99-TM4  
99-TM5  
99-TM6



### LIFEBREATH CONTROL OPTIONS

FEATURES	99-DXPLO2	99-BC02	99-BC03	99-BC04
5 speed fan operation on each mode	✓			
2 speed fan operation (Low/High)		✓		✓
Continuous low speed fan operation	✓	✓	✓	✓
Humidity control through adjustable Dehumid-istat	✓	✓	✓	
Large digital LCD screen	✓			
LED status indicator lights		✓	✓	✓
Continuous Ventilation	✓	✓	✓	✓
Continuous Recirculation*	✓		✓	
20 ON/40 OFF	✓		✓	✓
10 ON/50 OFF	✓			
20 ON/40 Recirculation*	✓		✓	✓
20/40/60 min. High speed override button	✓			
Compatible with 99-DET02 Wireless Timer	✓	✓	✓	✓
3 wire connection	✓	✓	✓	✓

\*Recirculation features not available on fan defrost models.

170 ERVD - (0921)

### TIMER OPTIONS

#### 99-DET01 - 20/40/60 Minute Timer

Initiates high speed ventilation for 20, 40 or 60 minutes. 3 wire connection.

#### 99-DET02 - 20/40/60 Minute Timer

Initiates high speed ventilation for 20, 40 or 60 minutes. Wirelessly connects to main control for ease of installation. 40 ft approximate range.

#### 99-RX02 - Wireless Repeater

Extends range of 99-DET02 Wireless Timers. Plugs into 120V power outlet. Wirelessly connects to main control and 99-DET02. Install at halfway point between timer and main wall control if timer is out of range.



99-BC02



99-BC03



99-BC04



99-DET02



99-DET01

**LIFEBREATH**  
Indoor Air Systems

www.lifebreath.com

# 170 ERVD

## ENERGY RECOVERY VENTILATOR

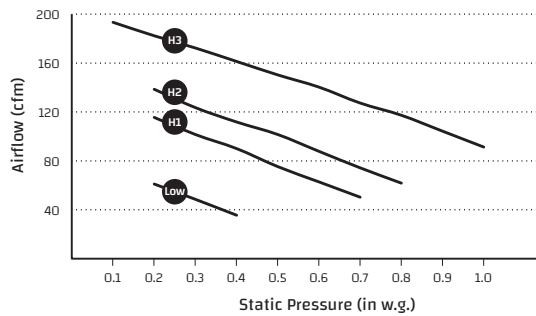


### PERFORMANCE (HVI CERTIFIED)

IN. W.G. (PA)	0.2 (50) CFM (L/s)	0.3 (75) CFM (L/s)	0.4 (100) CFM (L/s)	0.5 (125) CFM (L/s)	0.6 (150) CFM (L/s)	0.7 (175) CFM (L/s)	0.8 (200) CFM (L/s)	0.9 (225) CFM (L/s)
Net Supply Airflow	182 (86)	172 (81)	161 (76)	150 (71)	140 (66)	127 (60)	117 (55)	104 (49)
Gross Supply Airflow	191 (90)	180 (85)	167 (79)	157 (74)	146 (69)	133 (63)	121 (57)	108 (51)
Gross Exhaust Airflow	180 (85)	170 (80)	159 (75)	148 (70)	138 (65)	125 (59)	114 (54)	104 (49)

ELECTRICAL SPECIFICATIONS	
VAC @ 60Hz	120
Watts / Low Speed	60
Watts / High Speed	110
Amp Rating	1.4

Sensible Effectiveness (ASE) @ 65 CFM (31 L/s)	32°F (0°C)	89%
Sensible Efficiency (SRE) @ 65 CFM (31 L/s)	32°F (0°C)	76%
Total Efficiency (TRE) @ 64 CFM (30 L/s)	95°F (35°C)	51%
Sensible Efficiency (SRE) @ 68 CFM (32 L/s)	-13°F (-25°C)	62%



WEIGHT:  
**57 LBS (25.8 KG)**

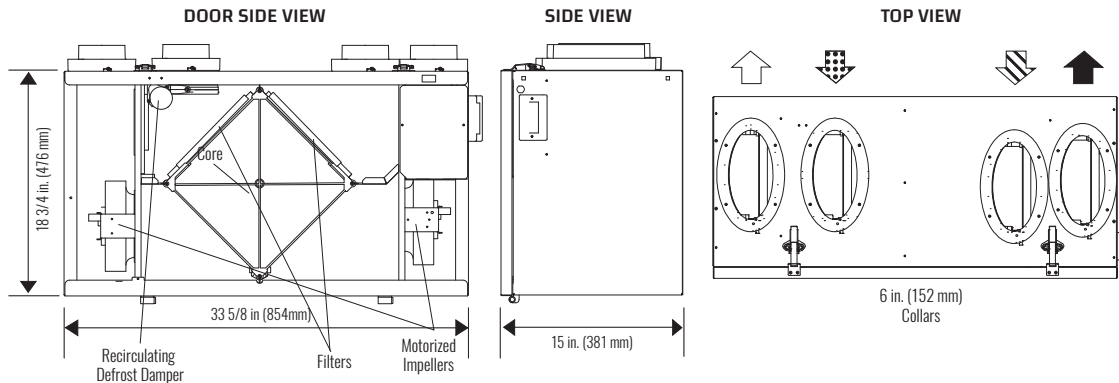
SHIPPING WEIGHT:  
**67 LBS (30 KG)**

**NOTE:**  
Front clearance of 25 in. (635 mm) is recommended for servicing unit. All ducts use 6 in. (152 mm) oval collars, balancing dampers are located on all collars.

MERV 13 Upgrade: 65-195-6R



### DIMENSIONS



Date: \_\_\_\_\_

Contractor: \_\_\_\_\_

Tag: \_\_\_\_\_

Supplier: \_\_\_\_\_

Project: \_\_\_\_\_ Qty: \_\_\_\_\_

Quote #: \_\_\_\_\_

Engineer: \_\_\_\_\_

Submitted By: \_\_\_\_\_

Control: \_\_\_\_\_

Timer: \_\_\_\_\_ Timer Qty: \_\_\_\_\_

#### WARRANTY

Units carry a 5 year warranty on the enthalpic (ERV) core and a 5 year replacement parts warranty.

All units conform to CSA and UL standards

