

# TFP 3000 HEPA RTO

## RESIDENTIAL HEPA AIR CLEANING



### ENGINEERING DATA

#### MOTORS AND BLOWERS

High efficiency PSC Motor - 150 cfm @ .4" WC 110 watts - 120 VAC. Standard three prong plug to receptacle. The TFP is equipped with a standard power supply of 5'5" (1.6 meters) cable.

#### COLLECTOR AND FILTER

One replaceable TFP collector and one replaceable HEPA filter. Easy to remove for cleaning and replacement. Annual inspection recommended.

#### MOUNTING THE AIR CLEANER

The TFP-3000-RTO air cleaner is to be mounted directly to the return duct of the forced air system.

#### OPTIONS

- 65-502R One replacement HEPA Filter
- 65-503R One replacement TFP Collector

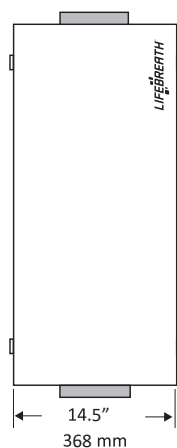
TFP3000HEPA RTO Particle Capture Rate

PARTICLE SIZE (MICRONS)	Percentage Caught
.3 or more	99.7%

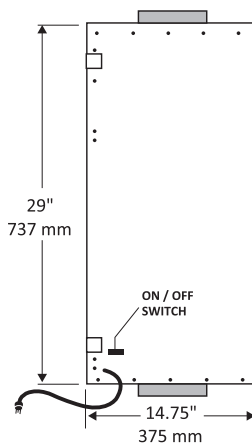
- Model TFP3000HEPA RTO - 99.97% efficient at .3 microns.
- A human hair is 100 microns wide.
- Spores and pollen are all larger than 8 microns.
- A micron is 1/1000 of a millimeter, or less than 1/2 of 1/10,000 of an inch.

### DIMENSIONS

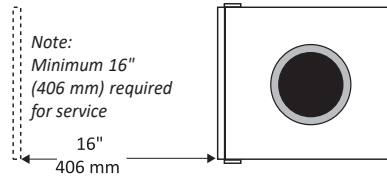
FRONT VIEW



SIDE VIEW



END VIEW

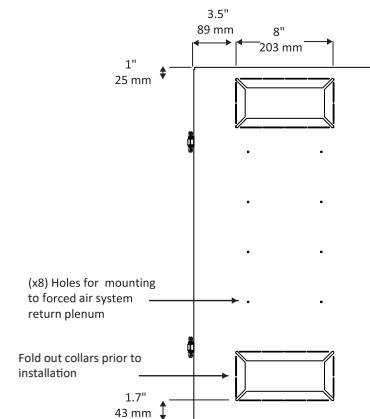


Note:  
Minimum 16"  
(406 mm) required  
for service

All duct connections are 8" (203 mm) by 4" (102 mm).



BACK VIEW



NOTE: All specifications are subject to change without notice.

Date: \_\_\_\_\_

Contractor: \_\_\_\_\_

Tag: \_\_\_\_\_

Supplier: \_\_\_\_\_

Project: \_\_\_\_\_ Qty: \_\_\_\_\_

Quote #: \_\_\_\_\_

Engineer: \_\_\_\_\_

Submitted By: \_\_\_\_\_

Control: \_\_\_\_\_

Timer: \_\_\_\_\_ Timer Qty: \_\_\_\_\_

TFP3000HEPA RTO (0921)

### WARRANTY

Units carry a 5 year replacement parts warranty.  
No warranty on collector/filter.

All units conform to CSA and UL standards



www.lifebreath.com