

2500 IFD

HEAT RECOVERY VENTILATOR



ENGINEERING DATA:

AIRFLOW

2250 CFM (1175 L/s) at 1.0 in. w.g. ESP.

PERFORMANCE

70% effective at 2500 CFM (1175 L/s).

CORES

Modular aluminum sensible heat recovery core. Plate-to-plate type. Slides out of either side of cabinet for service.

BLOWERS

Two direct-drive centrifugal blowers, one per air stream.

FILTERS

Two 18 in. x 24 in. (457 mm x 610 mm) 4-inch pleated filters in each air stream.

CONNECTION DUCT SIZES

Four 24 in. X 16 in. (610mm X 406mm).

CABINET

20 gauge powder coated galvanized steel (G60) for superior corrosion resistance. 16 gauge galvanized frame, insulated with 1.0 in. fiberglass insulation to prevent condensation.

DRAIN

Two stainless steel drain pans with 1/2 in. (12 mm) NPT drain spouts.

MOUNTING

Unit can be set on floor or on support brackets hung by threaded rod type apparatus. Brackets and rod not provided.

CONTROLS

Integrated microprocessor board, optional remote 2 speed control, built in interlock contacts.

DEFROST

Factory set defrost time. Supply motor is shut off while exhaust air defrosts core.

VOLTAGE OPTIONS:

VOLTAGE	PHASE	MOTOR	AMPS	MCA	MOP	SKU
208	1	Two PSC, 1.0 hp, single shaft, 3 speed (2 available)	15	18.7	20	94-2500IFD-208SP*
240	1	Two PSC, 1.0 hp, single shaft, 3 speed (2 available)	13	16.3	20	94-2500IFD

* Special Inspection is required

CONTROLS

99-BC02 - Lifebreath Ventilation Control

2 speed fan setting (Low/High). Humidity control through adjustable Dehumidistat. Compatible with 99-DET02 Wireless Timers. 3 wire connection: 20 gauge wire (minimum).

99-DH01 - Lifebreath Dehumidistat

Humidity control through adjustable Dehumidistat. 3 wire connection: 20 gauge wire (minimum).

TIMER OPTIONS

99-DET01 - Lifebreath 20/40/60 Minute Timer

Initiates high speed ventilation for 20, 40 or 60 minutes. 3 wire connection.

99-DET02 - Wireless Lifebreath 20/40/60 Minute Timer

Initiates high speed ventilation for 20, 40 or 60 minutes. Wirelessly connects to main control for ease of installation. 40' approximate range. **Exclusive to Lifebreath.**

99-RX02 - Wireless Lifebreath Repeater

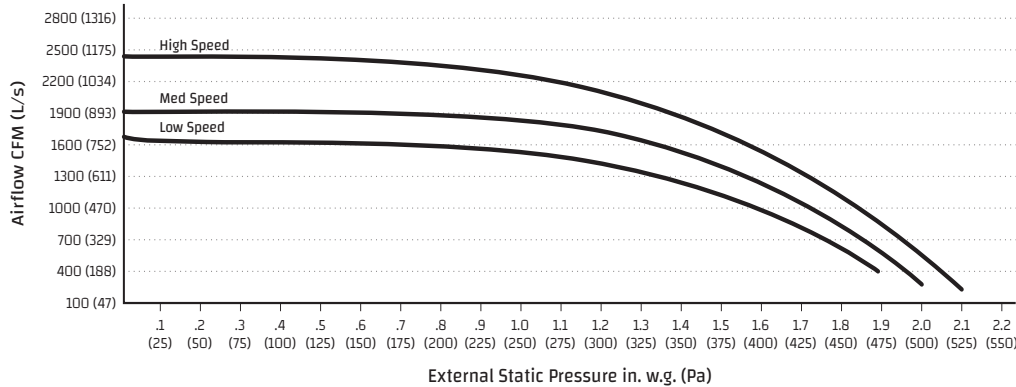
Extends range of 99-DET02 Wireless Timers. Plugs into 120V power outlet. Wirelessly connects to main control and 99-DET02. Install at halfway point between timer and main wall control if timer is out of range.

2500 IFD

HEAT RECOVERY VENTILATOR



Airflows (Each Air Stream)



WEIGHT:
680 LBS (308 KG)

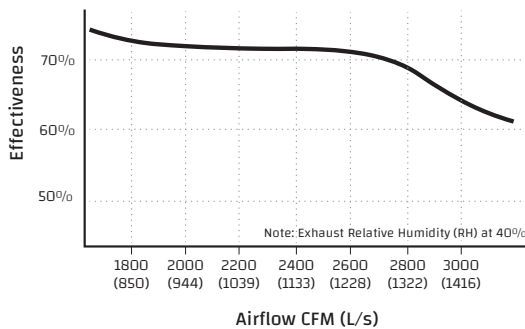
SHIPPING WEIGHT:
900 LBS (408 KG)

NOTE:
Removable service access panels on both sides of 2500IFD cabinet. All specifications are subject to change without notice.

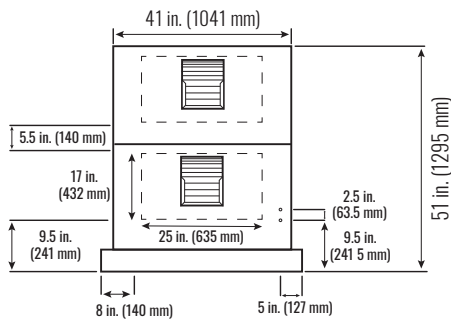
Service clearance - 42 in. on electrical panel side



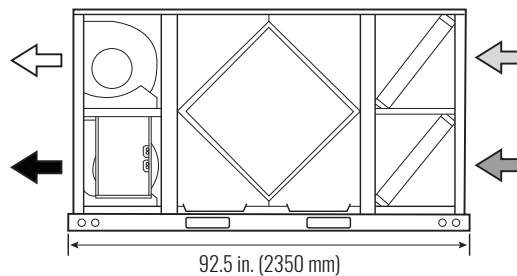
Temperature Effectiveness



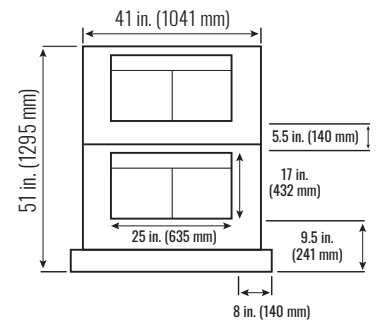
Front View



Side View



Back View



- Stale air to outside
- Fresh air from outside
- Stale air from inside
- Fresh air to inside

DIMENSIONS

Date: _____ Contractor: _____

Tag: _____ Supplier: _____

Project: _____ Qty: _____ Quote #: _____

Engineer: _____ Submitted By: _____

Control: _____ Timer: _____ Timer Qty: _____

WARRANTY

Units carry a 15 year warranty on the HRV core and a 2 year replacement parts warranty.

All units conform to CSA and UL standards



www.lifebreath.com