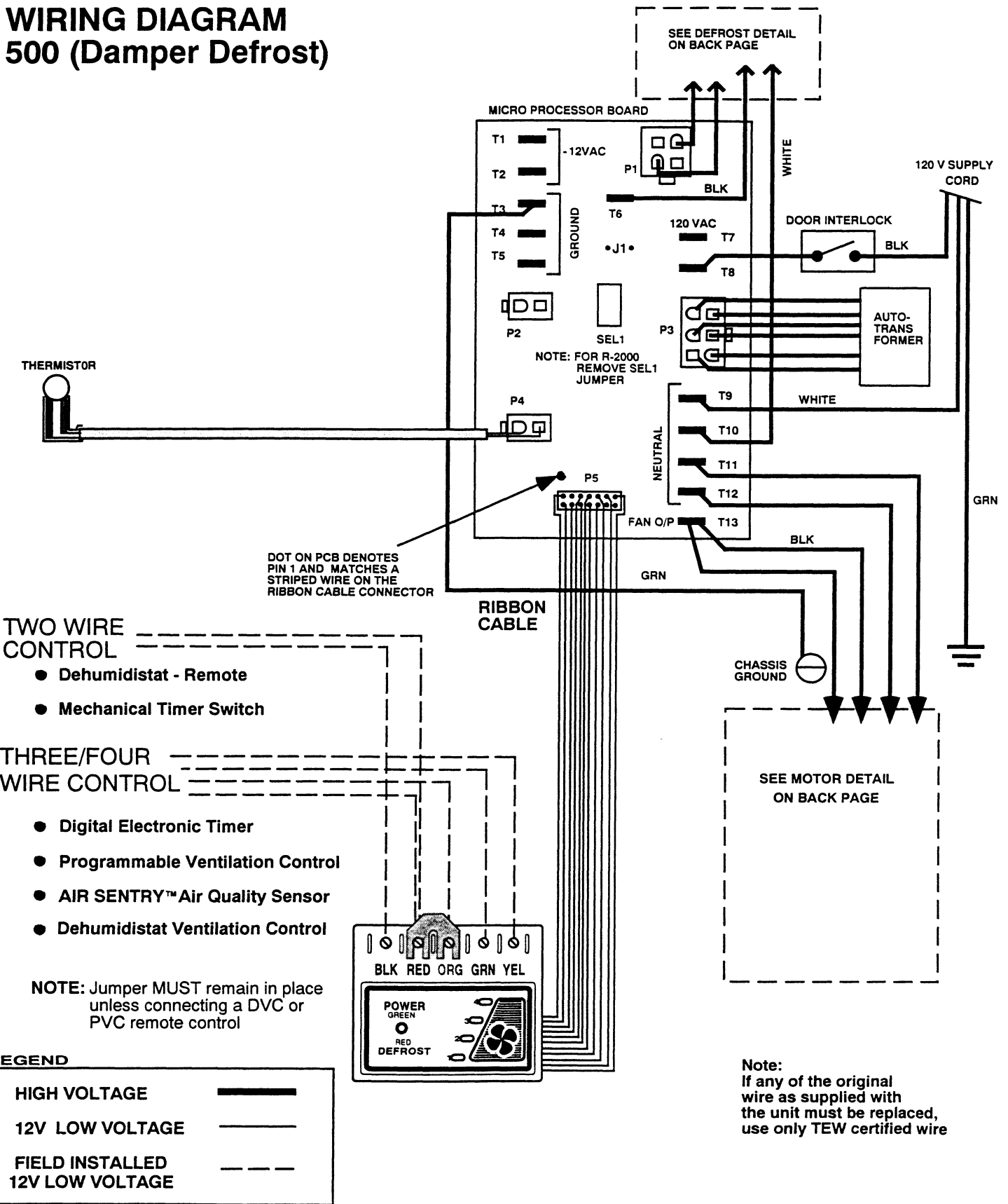
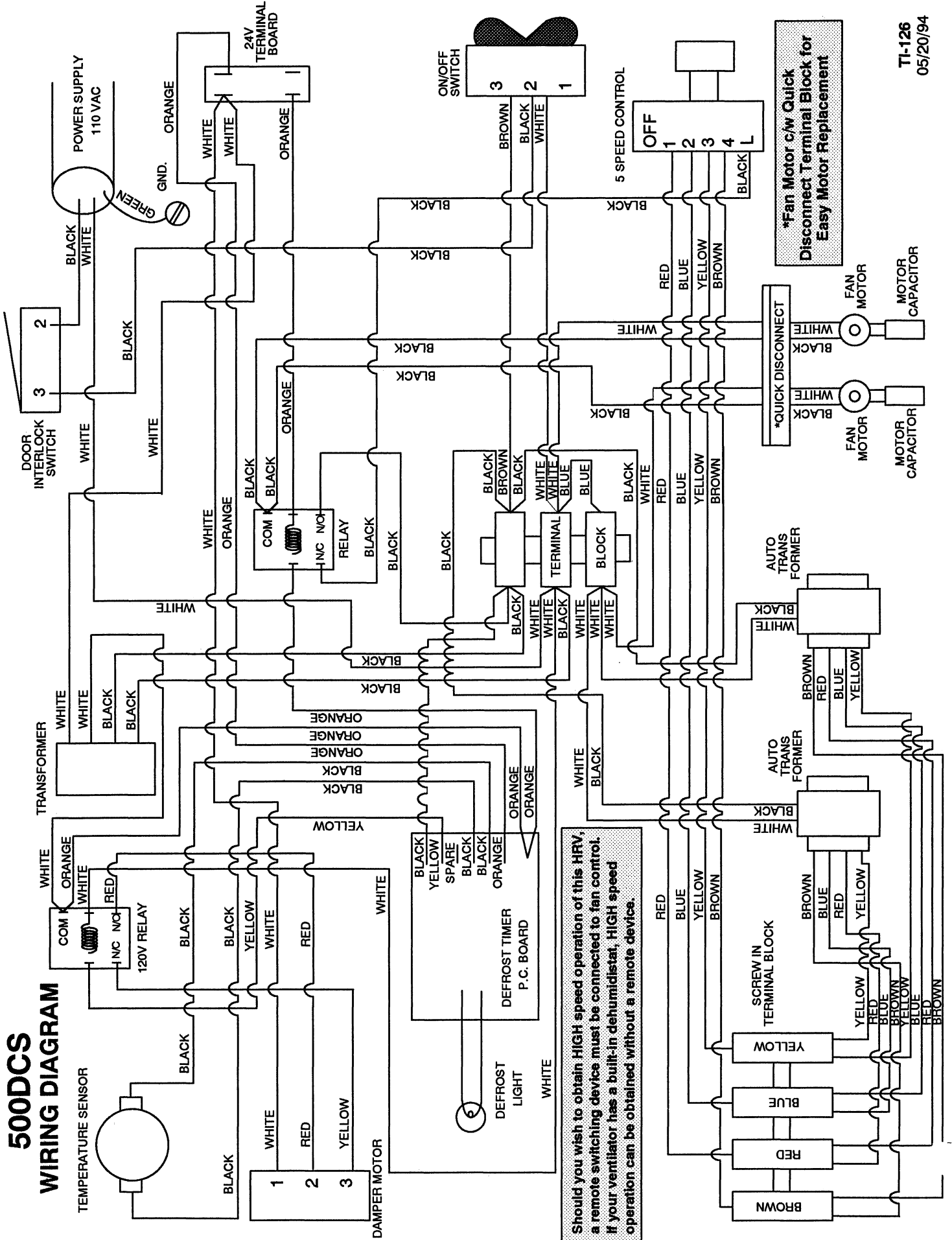


# WIRING DIAGRAM 500 (Damper Defrost)



**IMPORTANT: Base Module Low Voltage is 12VAC**  
DO NOT CONNECT EXTERNAL POWER SOURCES TO UNIT, OR ANY UNAPPROVED DEVICES TO THE BASE MODULE. DAMAGE MAY RESULT AND VOID THE WARRANTY.

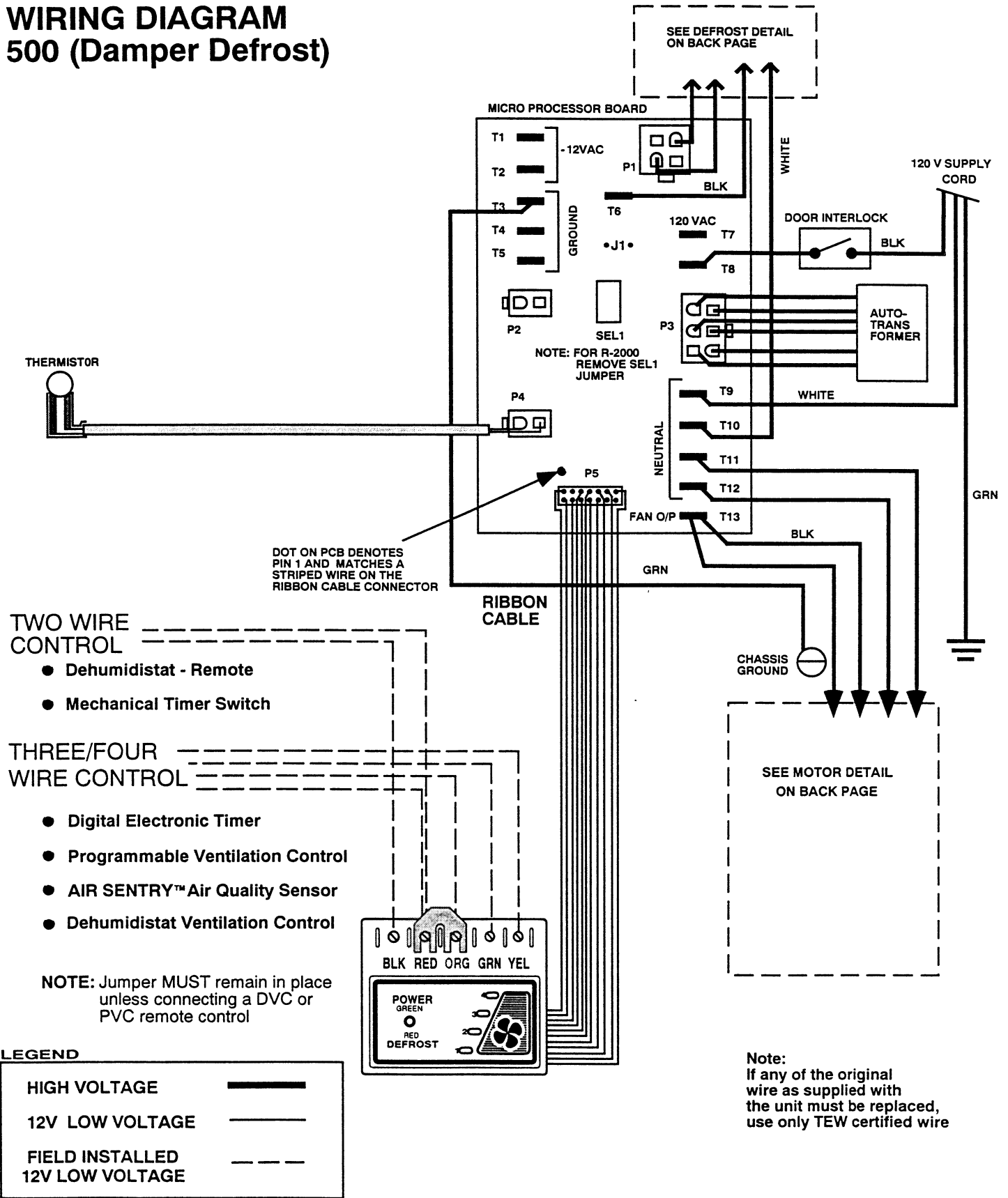
# 500DCS WIRING DIAGRAM



Should you wish to obtain HIGH speed operation of this HRV, a remote switching device must be connected to fan control. If your ventilator has a built-in dehumidistat, HIGH speed operation can be obtained without a remote device.

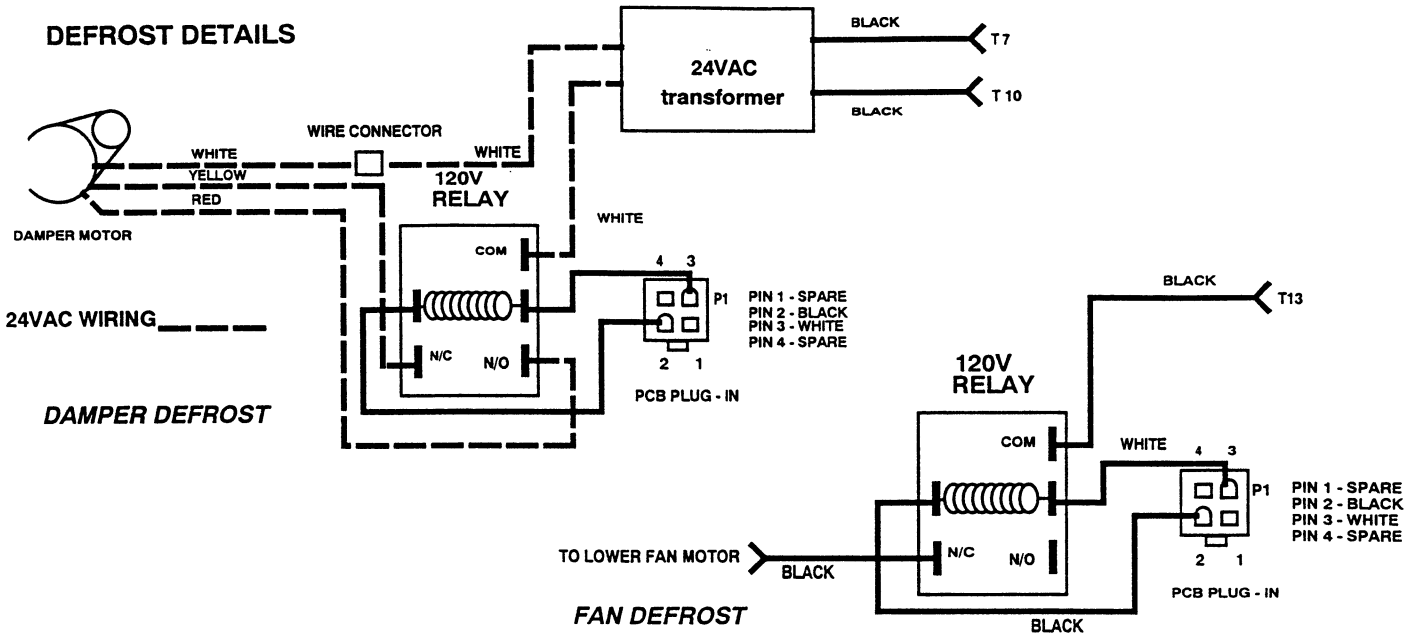
\*Fan Motor c/w Quick Disconnect Terminal Block for Easy Motor Replacement

# WIRING DIAGRAM 500 (Damper Defrost)

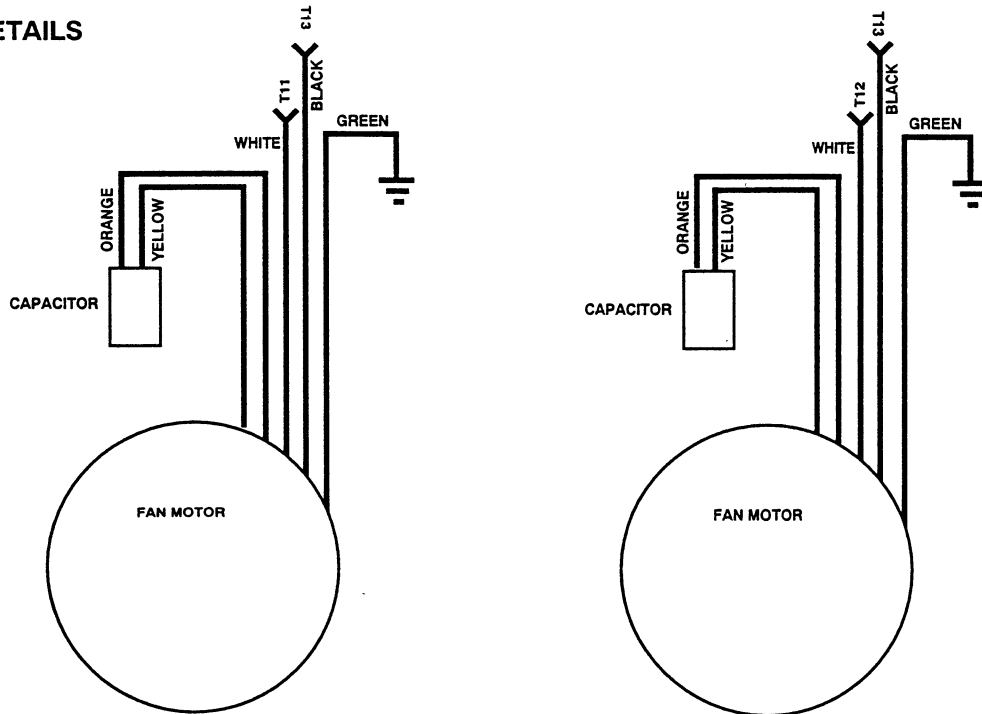


**IMPORTANT: Base Module Low Voltage is 12VAC  
DO NOT CONNECT EXTERNAL POWER SOURCES TO UNIT, OR ANY UNAPPROVED DEVICES TO THE BASE MODULE. DAMAGE MAY RESULT AND VOID THE WARRANTY.**

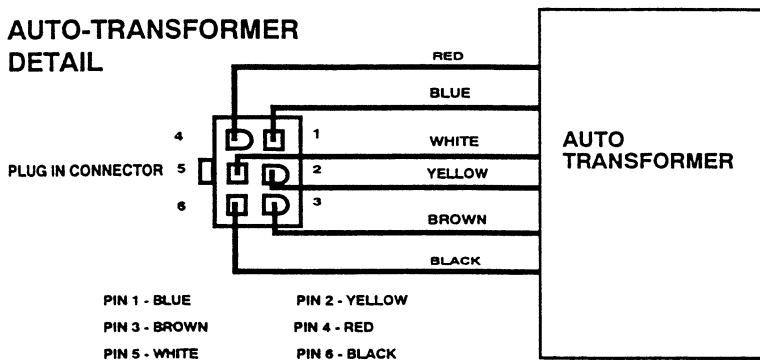
### DEFROST DETAILS



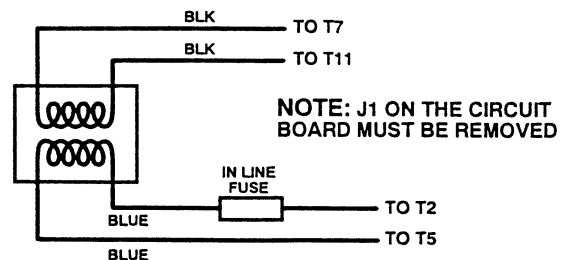
### FAN MOTOR DETAILS



### AUTO-TRANSFORMER DETAIL



### CONTROL TRANSFORMER DETAIL FOR ALL DOUBLE CORE UNITS



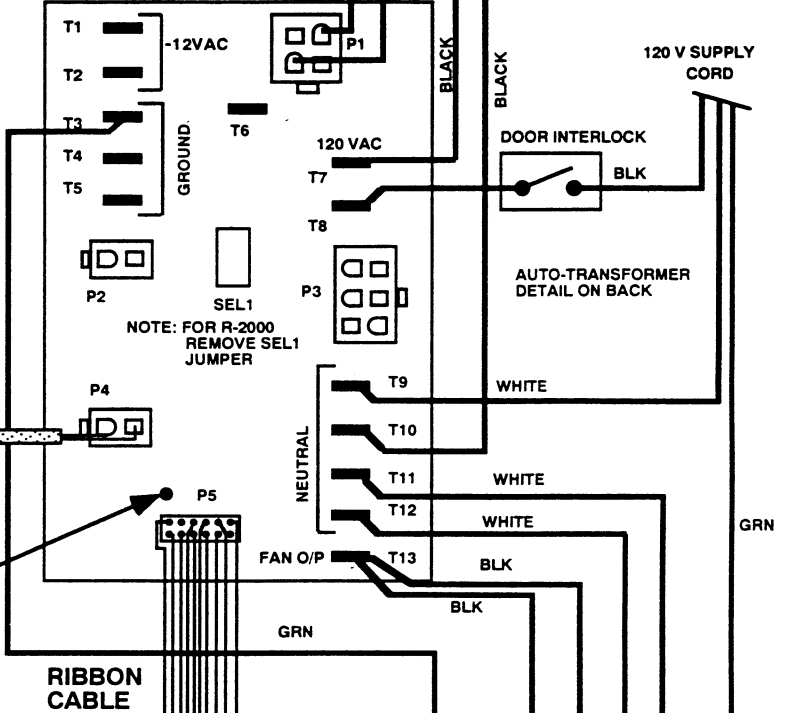
# LIFEBREATH 500DCS & 900DD/FD HRV DAMPER or FAN DEFROST WIRING DIAGRAM

SEE DEFROST DETAIL ON BACK PAGE

NOTE: OPTIONAL 12VAC ELECTRONIC AIR FILTER CONNECTS TO T1 - T4

THERMISTOR

MICRO PROCESSOR BOARD



NOTE: FOR R-2000 REMOVE SEL1 JUMPER

DOT ON PCB DENOTES PIN 1 AND MATCHES A RED WIRE ON THE RIBBON CABLE CONNECTOR

## TWO WIRE CONTROL

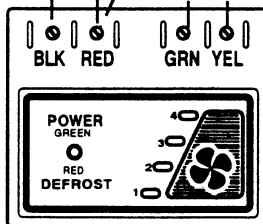
- Dehumidistat - Remote
- Mechanical Timer Switch
- Time Control Clock

## THREE WIRE CONTROL

- Digital Electronic Timer
- Deluxe Programmable Control
- AIR SENTRY™ Air Quality Sensor

## LEGEND

HIGH VOLTAGE	————
12V LOW VOLTAGE	————
FIELD INSTALLED	----
12V LOW VOLTAGE	----

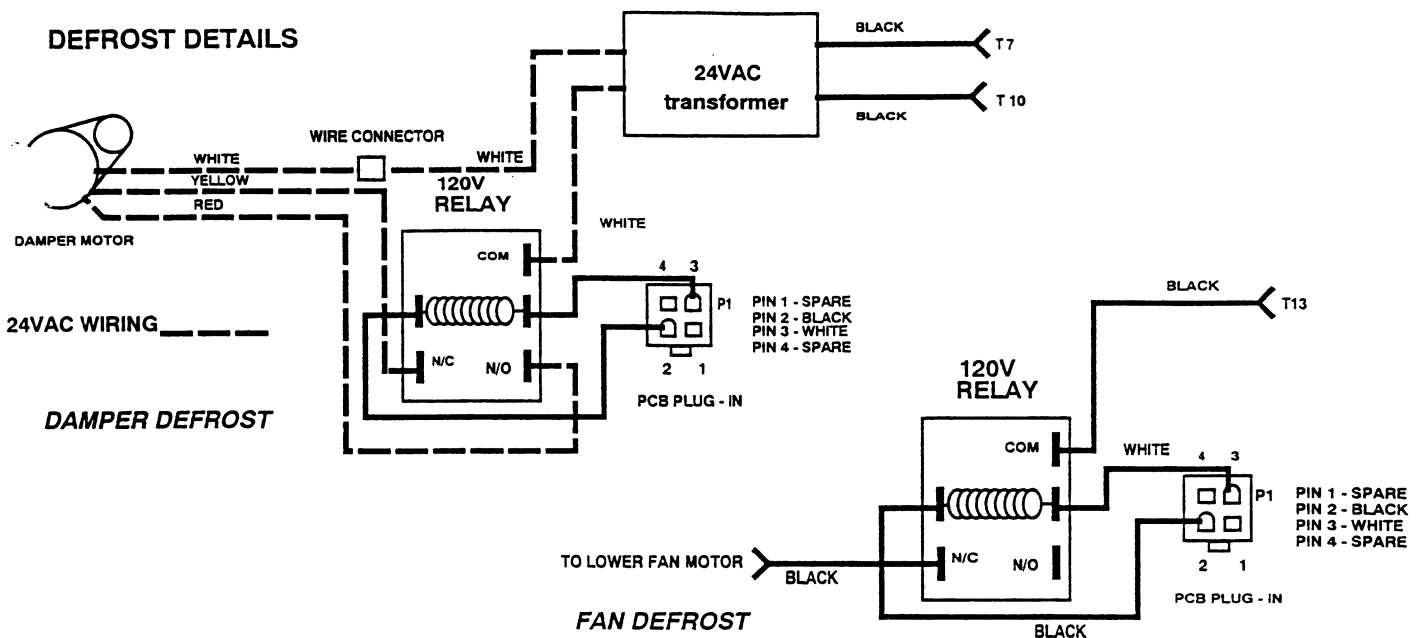


Note: If any of the original wire as supplied with the unit must be replaced, use only TEW certified wire

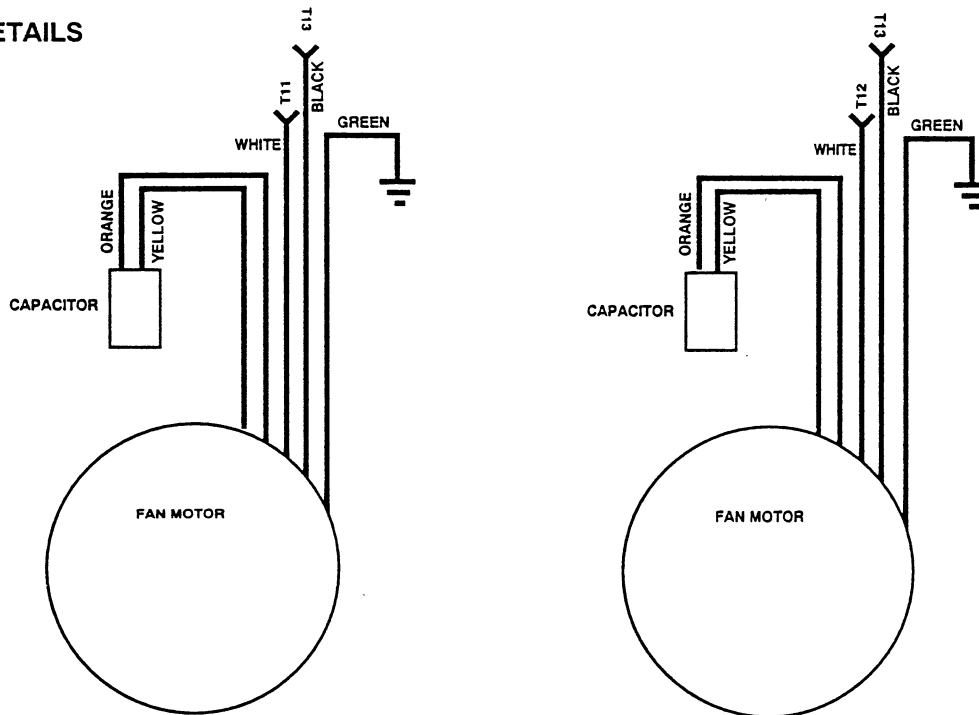
SEE MOTOR DETAIL ON BACK PAGE

IMPORTANT: Base Module Low Voltage is 12VAC  
DO NOT CONNECT EXTERNAL POWER SOURCES TO UNIT

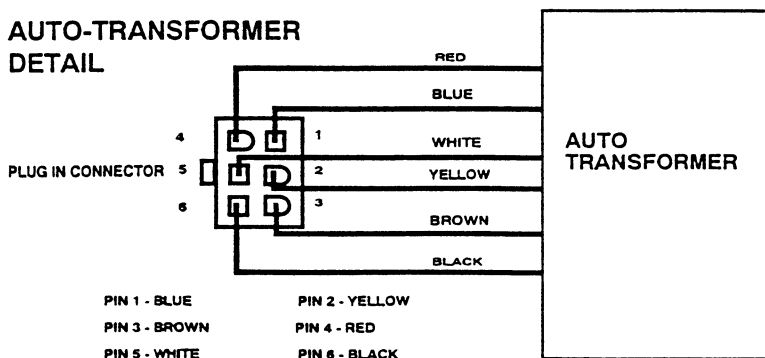
### DEFROST DETAILS



### FAN MOTOR DETAILS



### AUTO-TRANSFORMER DETAIL



### CONTROL TRANSFORMER DETAIL FOR ALL DOUBLE CORE UNITS

