

267 MAX

HEAT RECOVERY VENTILATOR



ENGINEERING DATA:

THERMALLY CONDUCTIVE, PATENTED ALUMINUM HEX CORE

The counter-flow heat recovery core transfers heat between two airstreams. It is easily removed for cleaning or service.

MOTORS AND BLOWERS

ECM Motor. Provides higher output and very low power consumption. Each airstream has an independent centrifugal blower with multiple fan speed operation.

FILTERS

Washable MERV-6 air filters in exhaust and supply airstreams. Upgrade to MERV-13 option available.

MOUNTING

Threaded inserts at corners of the cabinet designed to accept the "S" hooks and hanging straps supplied with the unit.

DEFROST

Recirculating damper defrost system.

CASE

20 gauge prepainted galvanized steel for superior corrosion resistance, insulated to prevent exterior condensation. Balancing ports are located on unit.

DRAIN CONNECTION

Two 1/2 in (12 mm) outer diameter.

ELECTRONICS

The DXPL03 control included with the unit can be wall mounted in a central location of the home. 3 wire 20 gauge (min.) 100 ft. length (max.).

OPTIONAL ACCESSORIES:

Dual Hood
99-190
99-194



Weather Hood
99-185
99-186
99-187



TechGrille
99-EAG4
99-EAG5
99-EAG6
99-EAG8



Terminator Fitting
99-TM4
99-TM5
99-TM6



LIFEBREATH DXPL-03 FEATURES

5 speed fan operation on each mode	✓
2 speed fan operation (Low/High)	✓
Continuous low speed fan operation	✓
Humidity control through adjustable Dehumidistat	✓
Large digital LCD screen	✓
Continuous Ventilation	✓
Continuous Recirculation	✓
20 ON/40 OFF	✓
10 ON/50 OFF	✓
20 ON/40 Recirculation	✓
20/40/60 min. High speed override button	✓
Compatible with 99-DET02 Wireless Timer	✓
3 wire connection	✓
Auto Balance	✓

TIMER OPTIONS

99-DET01 - 20/40/60 Minute Timer

Initiates high speed ventilation for 20, 40 or 60 minutes. 3 wire connection.

99-DET02 - 20/40/60 Minute Timer

Initiates high speed ventilation for 20, 40 or 60 minutes. Wirelessly connects to main control for ease of installation. 40 ft approximate range.

99-RX02 - Wireless Repeater

Extends range of 99-DET02 Wireless Timers. Plugs into 120V power outlet. Wirelessly connects to main control and 99-DET02. Install at halfway point between timer and main wall control if timer is out of range.



99-DXPL03



99-DET01



99-DET02



99-RX02

*Recirculation features not available on fan defrost models.

69-267 MAX (0923)

LIFEBREATH
Indoor Air Systems

www.lifebreath.com

267 MAX

HEAT RECOVERY VENTILATOR

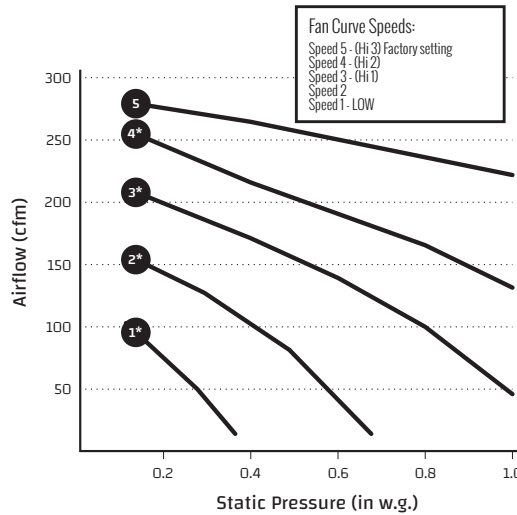


PERFORMANCE

IN. W.G. (PA)	0.1 (25) CFM (L/s)	0.2 (50) CFM (L/s)	0.3 (75) CFM (L/s)	0.4 (100) CFM (L/s)	0.5 (125) CFM (L/s)	0.6 (150) CFM (L/s)	0.7 (175) CFM (L/s)	0.8 (200) CFM (L/s)	0.9 (225) CFM (L/s)	1.0 (250) CFM (L/s)
Net Supply Airflow	278 (131)	271 (128)	267 (126)	261 (123)	254 (120)	248 (117)	242 (114)	233 (110)	227 (107)	218 (103)
Gross Supply Airflow	282 (133)	275 (130)	269 (127)	263 (124)	256 (121)	250 (118)	244 (115)	237 (112)	229 (108)	222 (105)
Gross Exhaust Airflow	314 (148)	307 (145)	301 (142)	292 (138)	286 (135)	278 (131)	271 (128)	265 (125)	256 (121)	250 (118)

*Sensible Effectiveness (ASE) @ 64 CFM (30 L/s)	32°F (0°C)	80%
Sensible Efficiency (SRE) @ 64 CFM (30 L/s)	32°F (0°C)	75%
*Sensible Efficiency (SRE) @ 117 CFM (55 L/s)	32°F (0°C)	68%
Sensible Efficiency (SRE) @ 70 CFM (33 L/s)	-13°F (-25°C)	70%

* Not an HVI certified data point



ELECTRICAL SPECIFICATIONS	
VAC @ 60Hz	120
*Watts / Low Speed	22
*Watts / High Speed	44
*Amp Rating	2.1

WEIGHT:
57 LBS (25.8 KG)

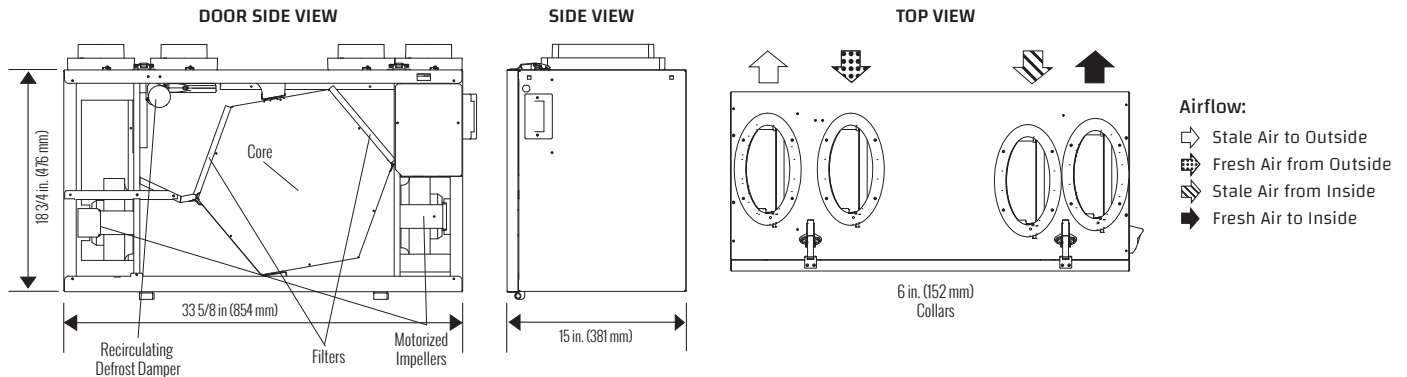
SHIPPING WEIGHT:
67 LBS (30 KG)

NOTE:
Front clearance of 25 in. (635 mm) is recommended for servicing unit. All ducts use 6 in. (152 mm) oval collars, balancing dampers are located on all collars.

MERV 13 Upgrade: 65-195-6R



DIMENSIONS



Date: _____

Contractor: _____

Tag: _____

Supplier: _____

Project: _____ Qty: _____

Quote #: _____

Engineer: _____

Submitted By: _____

Control: _____

Timer: _____ Timer Qty: _____

WARRANTY

Units carry a lifetime warranty on the HRV core and a 5 year replacement parts warranty.

All units conform to CSA and UL standards