

RNC5-TPD

HEAT RECOVERY VENTILATOR



ENGINEERING DATA

THERMALLY CONDUCTIVE, PATENTED ALUMINUM CORE

The cross-flow heat recovery core transfers heat between the two airstreams. It is easily removed for cleaning or service.

MOTORS AND BLOWERS

Each airstream has one motorized impeller with multiple fan speed operations.

FILTERS

Washable air filters in exhaust and supply airstreams. Upgrade to MERV-13 option available.

MOUNTING

Four threaded inserts at corners of the cabinet designed to accept the "S" hooks and hanging straps supplied with the unit.

DEFROST

Recirculating damper defrost system.

CASE

Twenty gauge prepainted galvanized steel for superior corrosion resistance. Insulated to prevent exterior condensation. Drain connections 2 - 1/2 in. (12 mm) OD. Balancing ports are located on door.

INSTALLER SELECTABLE HIGH SPEED SETTINGS

Adjustable DIP switches are located on the circuit board, Hi3 is the factory setting. Refer to the Installation manual for the adjustment instructions.

ELECTRONICS

The optional control can be wall mounted in a central location of the home. 3 wire 20 gauge (min.) 100 ft length (max.).

OPTIONAL ACCESSORIES:

Dual Hood
99-190
99-194



Weather Hood
99-185
99-186
99-187



TechGrille
99-EAG4
99-EAG5
99-EAG6
99-EAG8



Terminator Fitting
99-TM4
99-TM5
99-TM6



LIFEBREATH DXPL-O3 FEATURES

5 speed fan operation on each mode	✓
2 speed fan operation (Low/High)	✓
Continuous low speed fan operation	✓
Humidity control through adjustable Dehumidistat	✓
Large digital LCD screen	✓
Continuous Ventilation	✓
Continuous Recirculation	✓
20 ON/40 OFF	✓
10 ON/50 OFF	✓
20 ON/40 Recirculation	✓
20/40/60 min. High speed override button	✓
Compatible with 99-DET02 Wireless Timer	✓
3 wire connection	✓

TIMER OPTIONS

99-DET01 - 20/40/60 Minute Timer

Initiates high speed ventilation for 20, 40 or 60 minutes. 3 wire connection.

99-DET02 - 20/40/60 Minute Timer

Initiates high speed ventilation for 20, 40 or 60 minutes. Wirelessly connects to main control for ease of installation. 40 ft approximate range.

99-RX02 - Wireless Repeater

Extends range of 99-DET02 Wireless Timers. Plugs into 120V power outlet. Wirelessly connects to main control and 99-DET02. Install at halfway point between timer and main wall control if timer is out of range.



99-DXPLO3



99-DET01



99-DET02



99-RX02

*Recirculation features not available on fan defrost models.

69-RNC5 TPD (1023)

LIFEBREATH
Indoor Air Systems

www.lifebreath.com

RNC5-TPD

HEAT RECOVERY VENTILATOR

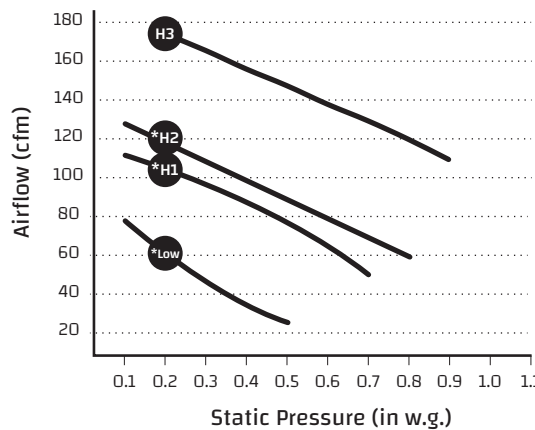


PERFORMANCE

IN. W.G. (PA)	0.2 (50) CFM (L/s)	0.3 (75) CFM (L/s)	0.4 (100) CFM (L/s)	0.5 (125) CFM (L/s)	0.6 (150) CFM (L/s)	0.7 (175) CFM (L/s)	0.8 (200) CFM (L/s)	0.9 (225) CFM (L/s)
Net Supply Airflow	174 (82)	165 (78)	155 (73)	146 (69)	136 (64)	127 (60)	117 (55)	106 (50)
Gross Supply Airflow	184 (87)	172 (81)	163 (77)	153 (72)	142 (67)	133 (63)	123 (58)	110 (52)
Gross Exhaust Airflow	184 (87)	174 (82)	163 (77)	153 (72)	142 (67)	131 (62)	119 (56)	108 (51)

ELECTRICAL SPECIFICATIONS	
VAC @ 60Hz	120
Watts @ 64cfm (30L/s)	79
Amp Rating	1.2

*Sensible Effectiveness (ASE) @ 64 CFM (30 L/s)	32°F (0°C)	74%
Sensible Efficiency (SRE) @ 64 CFM (30 L/s)	32°F (0°C)	58%
Sensible Efficiency (SRE) @ 68 CFM (32 L/s)	-13°F (-25°C)	61%



WEIGHT:
51 LBS (23 KG)

SHIPPING WEIGHT:
54 LBS (25 KG)

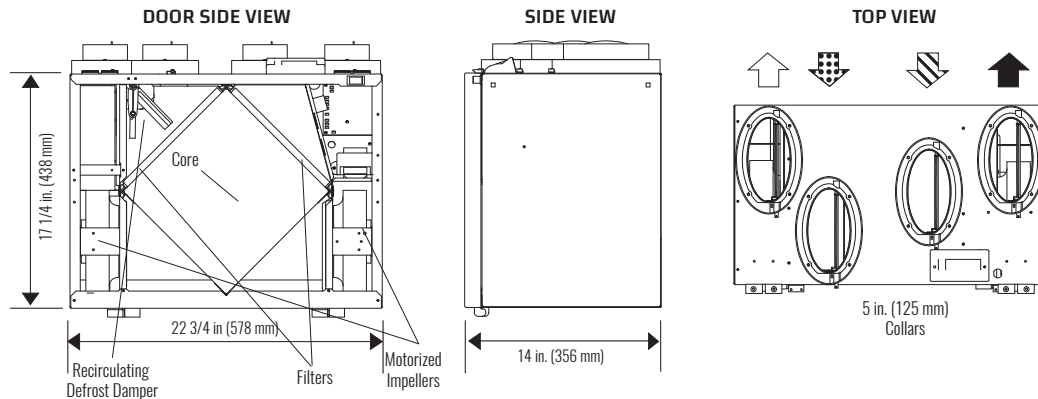
NOTE:
Front clearance of 25 in. (635 mm) is recommended for servicing unit. All ducts use 5 in. (125 mm) oval collars, balancing dampers are located on all collars.

MERV 13 Upgrade: 65-195-6R

* Not an HVI certified data point



DIMENSIONS



Date: _____ Contractor: _____

Tag: _____ Supplier: _____

Project: _____ Qty: _____ Quote #: _____

Engineer: _____ Submitted By: _____

Control: _____ Timer: _____ Timer Qty: _____

WARRANTY

Units carry a lifetime warranty on the HRV core and a 5 year replacement parts warranty.

All units conform to CSA and UL standards

