

METRO 120 ERVD-ECM

ENERGY RECOVERY VENTILATOR



BRINGING COMPACT TO A WHOLE NEW LEVEL

- Designed for high-rise condos, apartments and townhomes with limited mechanical space
- Low profile, fits in bulkhead and drop ceilings, slim height 9.75 in.
- 50-130 CFM operational range
- 3 High speed selections
- Brackets included for easy install
- No drains required
- Intelligent Damper Defrost
 - Energy efficient DC motor
 - Power saving standby mode when not cycling
 - Integrated ice breaker technology
- Removable motor and electronic assembly for easy maintenance and service
- Swing open e-box cover for quick access to circuit board and DIP switches
- Convenient hinged door - no screws

ENGINEERING DATA:

TOTAL RECOVERY ERV CORE

Cross-flow energy recover core transfers heat and water vapor between two airstreams. It is easily removed for cleaning or service.

MOTORS AND BLOWERS

Each airstream has an independent centrifugal high efficiency ECM blower with multiple fan speed operation.

FILTERS

Washable MERV-6 air filters in exhaust and supply airstreams. Upgrade to MERV-13 option available.

MOUNTING

Mounting brackets supplied.

DEFROST

Temperature sensor activated, recirculating damper defrost. Drains not required.

CASE

20 gauge prepainted galvanized steel for superior corrosion resistance, insulated to prevent exterior condensation.

INSTALLER SELECTABLE HIGH SPEED SETTINGS

Adjustable DIP switches are located on the circuit board, Hi3 is the factory setting. Refer to the installation manual for adjustment instructions.

ELECTRONICS

Main control can be wall mounted in a central location. 3 wire 20 gauge (min.) 100 ft. length (max.)

OPTIONAL FEATURES

Hardwired configuration available.

See manual for details.

OPTIONAL ACCESSORIES:

Dual Hood
99-190
99-194



Weather Hood
99-185
99-186
99-187



TechGrille
99-EAG4
99-EAG5
99-EAG6
99-EAG8



Terminator Fitting
99-TM4
99-TM5
99-TM6



LIFEBREATH DXPL-O3 FEATURES

5 speed fan operation on each mode	✓
2 speed fan operation (Low/High)	✓
Continuous low speed fan operation	✓
Humidity control through adjustable Dehumidistat	✓
Large digital LCD screen	✓
Continuous Ventilation	✓
Continuous Recirculation	✓
20 ON/40 OFF	✓
10 ON/50 OFF	✓
20 ON/40 Recirculation	✓
20/40/60 min. High speed override button	✓
Compatible with 99-DET02 Wireless Timer	✓
3 wire connection	✓

TIMER OPTIONS

99-DET01 - 20/40/60 Minute Timer

Initiates high speed ventilation for 20, 40 or 60 minutes. 3 wire connection.

99-DET02 - 20/40/60 Minute Timer

Initiates high speed ventilation for 20, 40 or 60 minutes. Wirelessly connects to main control for ease of installation. 40 ft approximate range.

99-RX02 - Wireless Repeater

Extends range of 99-DET02 Wireless Timers. Plugs into 120V power outlet. Wirelessly connects to main control and 99-DET02. Install at halfway point between timer and main wall control if timer is out of range.



99-DXPLO3



99-DET01



99-DET02



99-RX02

*Recirculation features not available on fan defrost models.

METRO 120 ERVD-ECM

ENERGY RECOVERY VENTILATOR



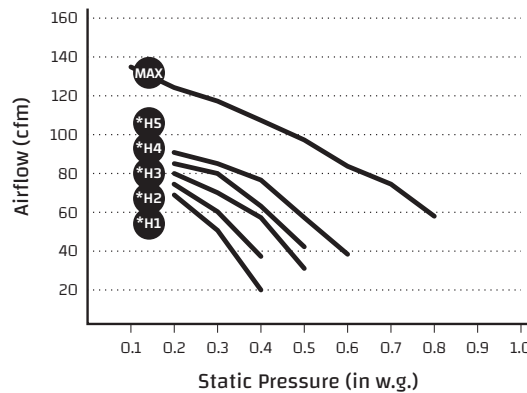
PERFORMANCE

IN. W.G. (PA)	0.2 (50) CFM (L/s)	0.3 (75) CFM (L/s)	0.4 (100) CFM (L/s)	0.5 (125) CFM (L/s)	0.6 (150) CFM (L/s)	0.7 (175) CFM (L/s)	0.8 (200) CFM (L/s)
Net Supply Airflow	123 (58)	116 (54)	107 (50)	98 (46)	88 (41)	73 (34)	58 (27)
Gross Supply Airflow	125 (59)	117 (55)	109 (51)	99 (47)	88 (41)	74 (35)	58 (27)
Gross Exhaust Airflow	121 (57)	115 (54)	109 (51)	102 (48)	92 (43)	77 (36)	56 (26)

ELECTRICAL SPECIFICATIONS	
VAC @ 60Hz	120
Watts @ 23 L/s	21
*Amp Rating	0.8

*Sensible Effectiveness (ASE) @ 48 CFM (23 L/s)	32°F (0°C)	81%
Sensible Efficiency (SRE) @ 48 CFM (23 L/s)	32°F (0°C)	74%
Sensible Efficiency (SRE) @ 56 CFM (26 L/s)	-13°F (-25°C)	56%
Total Efficiency (TRE) @ 49 CFM (23 L/s)	95°F (35°C)	50%

* Not an HVI certified data point



WEIGHT:
37 LBS (16.8 KG)

SHIPPING WEIGHT:
39 LBS (17.7 KG)

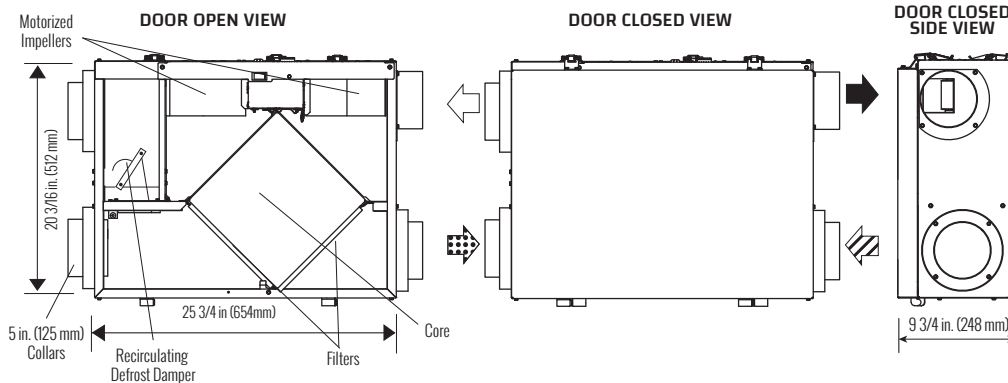
NOTE:

Front clearance of 25 in. (635 mm) is recommended for servicing unit. All ducts use 5 in. (125 mm) round collars.

MERV 13 Upgrade: 65-195-6R



DIMENSIONS



Standard Airflow:

- Stale Air to Outside
- Fresh Air from Outside
- Stale Air from Inside
- Fresh Air to Inside

Date: _____

Contractor: _____

Tag: _____

Supplier: _____

Project: _____ Qty: _____

Quote #: _____

Engineer: _____

Submitted By: _____

Control: _____

Timer: _____ Timer Qty: _____

WARRANTY

Units carry a 5 year warranty on the enthalpic (ERV) core and a 5 year replacement parts warranty.

All units conform to CSA and UL standards



www.lifebreath.com