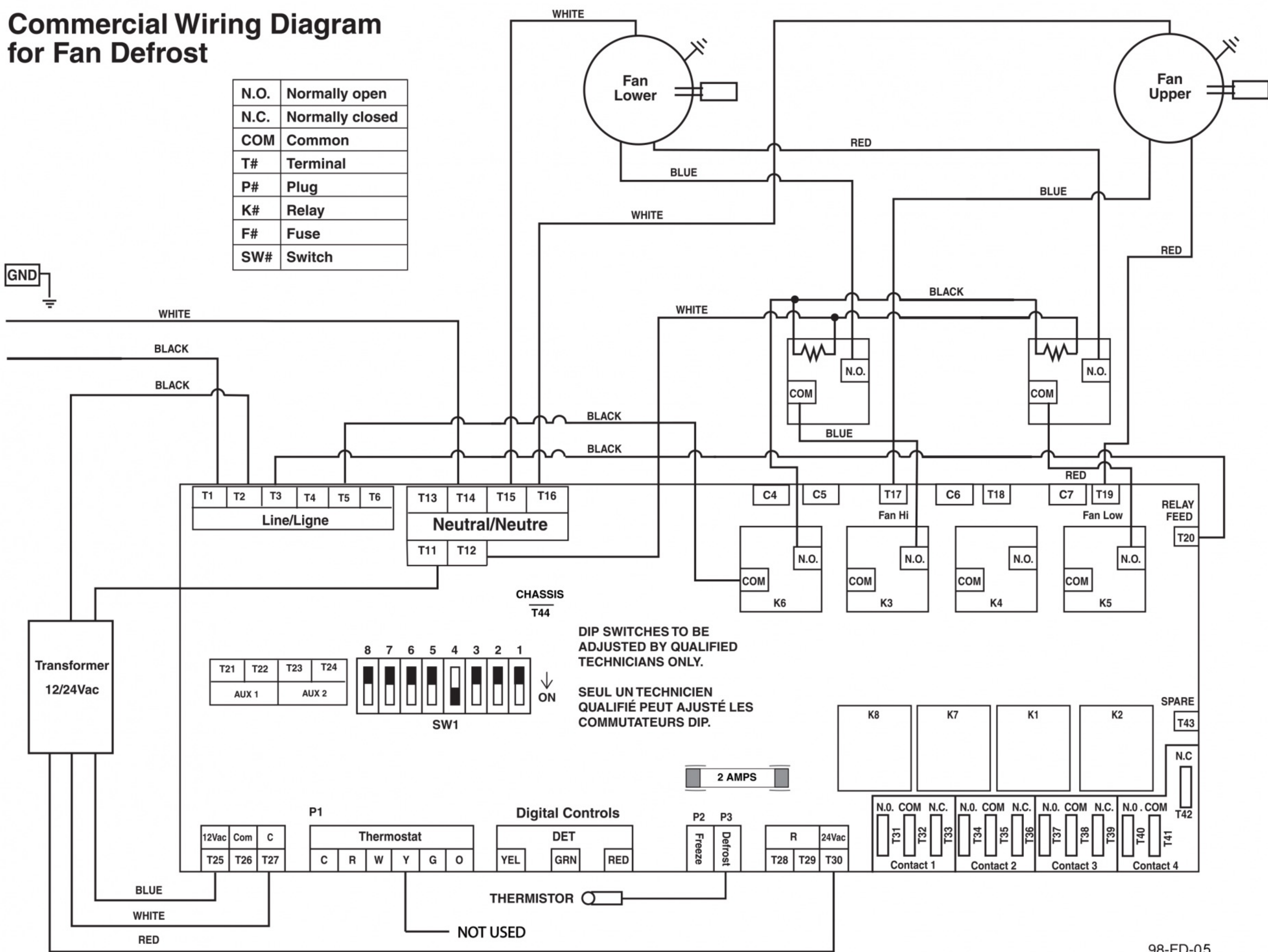


Commercial Wiring Diagram for Fan Defrost

| | |
|------|-----------------|
| N.O. | Normally open |
| N.C. | Normally closed |
| COM | Common |
| T# | Terminal |
| P# | Plug |
| K# | Relay |
| F# | Fuse |
| SW# | Switch |



DIP SWITCHES TO BE ADJUSTED BY QUALIFIED TECHNICIANS ONLY.
 SEUL UN TECHNICIEN QUALIFIÉ PEUT AJUSTÉ LES COMMULATEURS DIP.