

LIFEBREATH® RNC 205 PLUS

Indoor Air Systems HEAT RECOVERY VENTILATOR



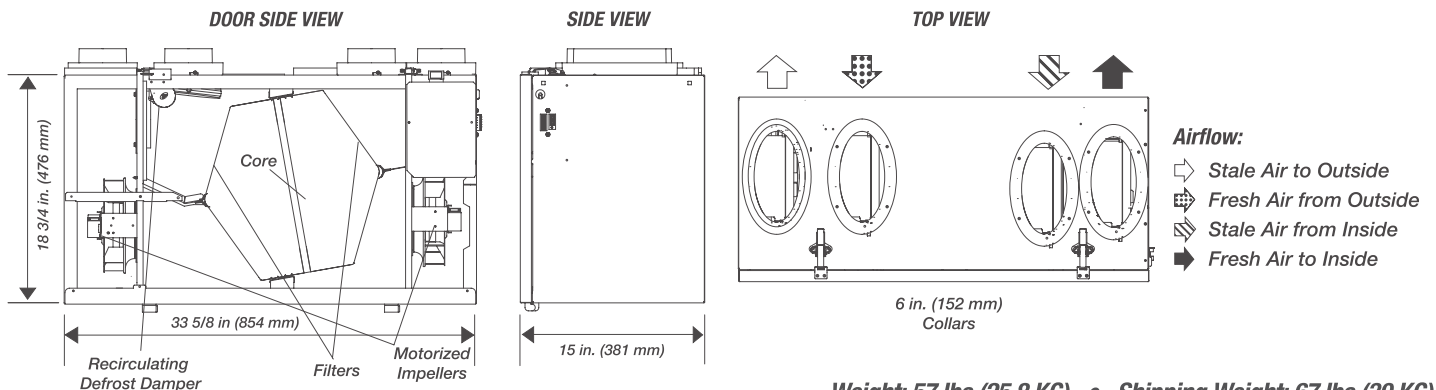
RNC 205 PLUS
161 CFM @ 0.3 (75) IN. W.G. (PA)

IMPROVED PERFORMANCE, TOP PORT DESIGN FOR FLEXIBLE INSTALLATIONS!

- Designed for single family homes
- Easy maintenance and service
- High Efficiency Hex Core
- Door Port Balancing & Adjustable Dampers
- Top Ported
- Outstanding Cold Weather Performance (73% SRE)
- Fully Washable HRV Core
- Can provide ventilation up to 4000 sf. for homes with 4 bedrooms, yet is still efficient for smaller homes

NOTE: Front clearance of 25 in. (635 mm) is recommended for servicing unit.
All ducts use 6 in. (150 mm) oval collars
Balancing dampers are located on all collars.
All units conform to CSA and UL standards.

DIMENSIONS



Weight: 57 lbs (25.8 KG) • Shipping Weight: 67 lbs (30 KG)

FEATURES

THERMALLY CONDUCTIVE HEX CORE

Counter-flow heat recovery core transfers heat between two airstreams. It is easily removed for cleaning or service.

MOTORS AND BLOWERS

Each airstream has one centrifugal blower driven by a common PSC motor, with multiple fan speed operations.

MERV 6 FILTERS

Washable air filters in exhaust and supply airstreams.
MERV 13 Upgrade: 65-195-6R.

MOUNTING

Four threaded inserts at corners of the cabinet designed to accept the "S" hooks and hanging straps supplied with the unit

DEFROST

Intelligent recirculating damper defrost system.

CASE

22 gauge prepainted galvanized steel for superior corrosion resistance, insulated to prevent exterior condensation. Drain connections 2 - 1/2 in. (12 mm) OD. Balancing ports are located on door.

INSTALLER SELECTABLE HIGH SPEED SETTINGS

Adjustable DIP switches are located on the circuit board, Hi3 is the factory setting. Refer to the installation manual for adjustment instructions.

ELECTRONICS

The optional control can be wall mounted in a central location of the home. 3 wire 20 gauge (min.) 100 ft length (max.).

LIFEBREATH® RNC 205 PLUS

Indoor Air Systems HEAT RECOVERY VENTILATOR



SPECIFICATIONS

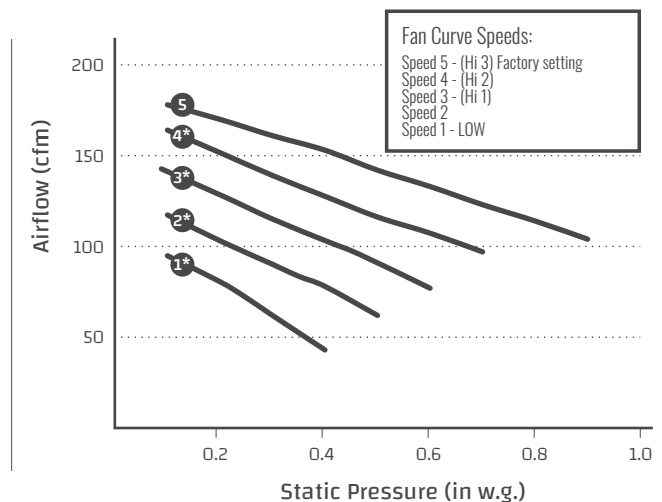
MODEL:	RNC 205 PLUS
VOLTAGE:	120 V
FREQUENCY:	60 Hz
WATTS @ 64 CFM (30 L/S):	74 W
CURRENT:	1.4 A
AIRFLOW @ 0.3:	161 CFM
WEIGHT:	57 lbs / 25.8 kg
DRAIN:	Yes
MCA:	2.0 A
MOP:	15 A
WARRANTY:	Units carry a lifetime warranty on the HRV core and a 5 year replacement parts warranty.



PERFORMANCE

IN. W.G. (PA)	0.1 (25) CFM (L/s)	0.2 (50) CFM (L/s)	0.3 (75) CFM (L/s)	0.4 (100) CFM (L/s)	0.5 (125) CFM (L/s)	0.6 (150) CFM (L/s)	0.7 (175) CFM (L/s)	0.8 (200) CFM (L/s)	0.9 (225) CFM (L/s)
Net Supply Airflow	178 (84)	170 (80)	161 (76)	153 (72)	142 (67)	133 (63)	123 (58)	114 (54)	104 (49)
Gross Supply Airflow	182 (86)	174 (82)	163 (77)	155 (73)	144 (68)	136 (64)	125 (59)	114 (54)	104 (49)
Gross Exhaust Airflow	172 (81)	163 (77)	155 (73)	146 (69)	136 (64)	127 (60)	117 (55)	106 (50)	95 (45)

Sensible Effectiveness (ASE) * @ 64 CFM (30 L/s)	32°F (0°C)	101%
Sensible Efficiency (SRE) @ 64 CFM (30 L/s)	32°F (0°C)	88%
Sensible Effectiveness (ASE) * @ 117 CFM (55 L/s)	32°F (0°C)	92%
Sensible Efficiency (SRE) @ 117 CFM (55 L/s)	32°F (0°C)	83%
Apparent Effectiveness (ASE) * @ 144 CFM (68 L/s)	32°F (0°C)	93%
Sensible Efficiency (SRE) @ 144 CFM (68 L/s)	32°F (0°C)	82%
Sensible Efficiency (SRE) @ 68 CFM (32 L/s)	13°F (-25°C)	73%



* Not an HVI Certified Data Point